



Professional catalogue

Spring 2018

Athmer - Securely sealed.



ATHMER

The latest technology at the highest level

Athmer has been involved in the production of automatic door seals for more than 60 years. The company's successful combination of experience, expertise and quality enables the continuous development and improvement of its product range. Offering the widest range on the market, Athmer has the right product for practically every type of application. In addition to automatic door seals for acoustic, smoke and fire protection doors, the range also includes seals for radiation protection doors and for doors with extremely large gaps of up to 50 mm at the bottom, for example. Within the industry, the Athmer trademarks **Kältefeind®** and **Schall-Ex®** have become synonymous with automatic door seals.

Athmer's automatic door seals support the principles of **sustainable and energy-efficient building**. They reduce CO₂ emissions and make a real contribution to the eco-balance of a building. They also comply with the recommendations regarding barrier-free building and ensure that people who are elderly or have physical disabilities have comfortable and safe access to buildings and rooms.

Athmer Finger Protection® has been preventing fingers from becoming trapped between doors and frames for more than 30 years. Athmer offers a wide variety of possible solutions to ensure that automatic doors and doors in kindergartens can be used safely.

Athmer finger protection systems are also suitable for use with fire doors and smoke protection doors.

www.athmer.de

www.athmer-fingerschutz.de

We focus on sustainability

Calculate the ecological return for your building with the CO₂ climate calculator from Athmer.

- Enter the parameters for your building and room; for example, location, energy source, and sealing height of the doors
- Assess the results and see for yourself the energy-efficiency of Athmer door seals



Environmental Product Declaration (EPD) available for automatic door seals

Athmer supports sustainable construction and the ecological evaluation of buildings

- Internationally recognised and verifiable eco-balance
- Security of investment for building developers
- Compliance with the European standard EN 14025



Endurance test passed with flying colours

Athmer sets new standards: 1,000,000 test cycles!

- Verified durability that far surpasses the standard of the "Ü" sign of compliance
- A long-term, safe investment
- Resource conservation ensures sustainability



+++ 1.000.000 test cycles - measurable quality +++

Athmer Technical Centre – The latest technology for concentrated development expertise

Athmer Technical Centre – The latest technology for concentrated development expertise

Athmer supports its customers in the different stages of product development

- "Concurrent Engineering": from the idea to the market-ready product
- state-of-the-art acoustic, air wind, and water testing facilities

Contents

1. Automatic door seals

1.1 Groovedimension 12 mm		Page
1.1.1	Doppeldicht® M-12 /35	6
1.1.2	Kältefeind®	7
	Kältefeind® Allround	7
	Kältefeind® WS	7
1.1.3	Schall-Ex® Inut	8
1.1.4	Schall-Ex® M-12 for sliding doors	9
	Schall-Ex® Slide & Lock M-12 WS	9
	Schall-Ex® Slide M-12 WS	10
	Schall-Ex® Slide M-12 WS ZA	11
1.1.5	Unidicht	12
	Unidicht WS	12
	Unidicht ES	13
	Unidicht S-12	13

1.2 Groove dimension 15 mm		Page
	Introduction to Schall-Ex® L-15	14
1.2.1	Schall-Ex® L-15	15
	Schall-Ex® L-15 WS	15
	Flush bolt set-up / Flush bolt	16
	Flush bolt set-up / Floor recess	17
	Schall-Ex® L-15/30 OS	18
	Schall-Ex® L-15/30 VS	19
	Schall-Ex® L-15 QFS	20
	Schall-Ex® L-15 QF	20
	Schall-Ex® L-15/29 TG	21
	Schall-Ex® L-15/30 VL	22
1.2.2	Introduction to SCHALL-EX® DUO	23
	Schall-Ex® DUO L-15	24
	Schall-Ex® DUO L-15 WS	24
	Schall-Ex® DUO L-15 VS	25
	Schall-Ex® DUO L-15 / 31 OS	26
	Schall-Ex® DUO L-15 / 28 OS	26
	Schall-Ex® DUO L-15 QFS	27
	Schall-Ex® DUO L-15 QF	27
	Accessories / Options	28-29

1.3 Groove dimension 20 mm		Page
	Introduction to Schall-Ex® Ultra	30-31
1.3.1	Schall-Ex® Ultra	32
	Schall-Ex® Ultra WS	32
	Schall-Ex® Ultra OS	32
	Accessories / Options	33-34
	Schall-Ex® Slide & Lock M-20 WS	35
1.3.2	Schall-Ex® Radiation protection	36
	Schall-Ex® Radiation protection WS	36
	Schall-Ex® Radiation protection OS	36
	Schall-Ex® Radiation protection WS BD	37
	Schall-Ex® Radiation protection OS BD	37
1.3.3	Schall-Ex® M-20 for sliding doors	38
	Schall-Ex® Slide M-20 WS	38
	Schall-Ex® Slide M-20 WS ZA	38
	Schall-Ex® Slide & Lock Radiation protection M-20 WS	39
	Schall-Ex® Slide Radiation protection M-20 WS	39
	Schall-Ex® Slide Radiation protection M-20 OS	40
	Schall-Ex® Slide M-20 OS	40

1.3.4	Schall-Ex® Jumbo	41
	Schall-Ex® Jumbo I	41
	Schall-Ex® Jumbo II	42
	Schall-Ex® Jumbo III	42
1.3.5	Unidicht M-20	43
	Introduction to Stadi L	44-45
1.3.6	Stadi L-20/20 WS	46
1.3.7	Stadi L-20/20 for sliding doors	46
	Stadi Slide & Lock L-20/20 WS	46
	Stadi Slide L-20/20 WS	47

1.4 Groovedimension 24 mm		Page
1.4.1	Stadi L-24/20	47
	Stadi L-24/20 WS	47
	Stadi L-24/20 OS	48
	Stadi L-24/20 TS	48
	Stadi L-24/20 ES	49
	Stadi L-24/20 Slide ES	49
1.4.2	Schall-Ex® L-24/20 for sliding doors	50
	Schall-Ex® Slide & Lock L-24/20 WS	50
	Schall-Ex® Slide L-24/20 WS	50
	Schall-Ex® Slide L-24/20 OS	51
	Schall-Ex® Slide L-24/20 TS	51
	Accessories / Options	52
1.4.3	Stadi L-24/15 BN	53
1.4.4	System VHH "Four sides sealed"	54
1.4.5	Athmer Rainstop innovation	55

1.5 Groove dimension 30 mm		Page
1.5.1	Stadi L-30/20 WS	59
1.5.2	Stadi XL 40	60
	Stadi XL-40 DT	60
	Stadi XL-40 ST	61
	Special equipment/ cover plates	61

1.6 Glass door seals		Page
	Introduction to Schall-Ex® GS-8	62
1.6.1	All-glass doors	63
	Schall-Ex® GS-A	63
	Schall-Ex® DUO GS-8	64
	Schall-Ex® DUO GS-10	64
	Schall-Ex® GS-8	65
	Schall-Ex® GS-10	65
1.6.2	All-glass doors	66
	Schall-Ex® GS-H8/12	66
	Schall-Ex® DUO GS-H8	67
	Schall-Ex® DUO GS-H10	67
	Schall-Ex® GS-H8	68
	Schall-Ex® GS-H10	68
	Schall-Ex® DUO GS-H20	69
	Schall-Ex® GS-H20	69
1.6.3	Glazed wooden doors	70
	Doppeldicht HGT-8	70
1.6.4	All-glass sliding doors	71
	Schall-Ex® Slide GS-A	71
	Schall-Ex® Slide GS-8	72
	Schall-Ex® Slide GS-10	72
	Schall-Ex® Slide GS-H8	73
	Schall-Ex® Slide GS-H10	73
1.6.5	Allround seal for sliding doors	74

1.6.7	Glasdicht SK	75
1.6.8	Glasdicht UB	75
	Glasdicht UB-8/7,5	75
	Glasdicht UB-8/10	75
	Glasdicht UB-10/7.5	75
	Glasdicht UB-10/10	75

1.7 Seals for retrofitting		Page
1.7.1	Introduction to NADI*	76
	NADI* LM Sets	78
	NADI* FM Sets	79
	Set overview	80
	NADI* - for fire dampers	82
	Set overview	82
	Introduction to* Applic	83
1.7.2	Schall-Ex* Applic	84
	Schall-Ex* Applic A	84
	Schall-Ex* Applic T	84
1.7.3	Schall-Ex* Slide Applic	85
	Schall-Ex* Slide Applic A	85
	Schall-Ex* Slide Applic T	85
	Introduction to Wind-Ex	86
1.7.4	Wind-Ex	87
	Wind-Ex	87
	Wind-Ex RTK-1	87
	Wind-Ex A	87
	Wind-Ex US	87
1.7.5	Schall-Ex* L-15 FS	88
1.7.6	Kältefeind* Allround	89
	Luftstopp	89

2 Tilt seals		Page
2.1	A-15	90
2.2	B-12	91
2.3	Magnetomat	92
2.4	Threshold seal TS-88	92

3. Thresholds		Page
3.1	Screed separations	93
	ETS	93
	ETB-94	93
	Flat threshold 40	94
	Flat threshold 52	94
	Half-round threshold 52	94
3.2	Stainless steel thresholds	95
	Stainless steel threshold 164	95
	Stainless steel threshold 365	95
	Stainless steel threshold 288	95
	Stainless steel threshold 513	95
3.4	Aluminium thresholds	95
	Aluminium threshold 090	95
	Aluminium threshold 253	95
	Aluminium threshold 088	95
	Aluminium threshold 308	95
	Aluminium threshold 277	95
	Aluminium threshold 278	95
	Aluminium threshold 217	95
	Aluminium threshold 496	95

4. Brush seals		Page
4.3	Nirobros	96
4.4	Ferrobros	96
4.5	Alubros	96
4.6	KU III plastic carrier profile	97
4.7	Brush seal Super	97

5. Frameseals		Page
5.1	Unitherm	98
	Applic Set	98
	Unitherm FAS	98
	Unitherm I	99
	Unitherm II HG	99
	Unitherm II HK	99
	Unitherm XIII	99
5.2	Perimeter seals for wooden frames	100
	T-Dicht	100
	F-Dicht	100
	Sili I	100
	Sili II	100
5.3	Perimeter seals for steel frames	101
	ZD Universal	101
	ZD 370 025	101
	ZD 370 235	101
5.4	Perimeter seals for sliding doors	101
	ZD Slide -12/12	101
	Unitherm Slide 22/22	101
	Slide VN - 8/10	101
	Slide 5 spacer	101

6. Athmer Fingerschutz®

	Introduction to Athmer Fingerschutz*	102
6.1	Finger protection, closing face	103
	Fingerschutz NR-32 UniSafe (innovation)	104-105
	Fingerschutz NR-26 w-proof	106
	Finger protection NR-30	107
	Finger protection NR-38	108
	Finger Protection NR-25	109
	Finger protection NA-7	110
6.2	Finger protection for automatic doors	111
	Examples of use	112-113
	Introduction to protective profiles	114
6.3	Opening side protective profiles	115
6.3.1	For wooden doors	116
	BU-K, BU	116
	BD*, BO	116
6.3.2	For profile doors	117
	BO	117
	BA-28, BA-22	117
6.3.3	For all-glass doors	118
	Examples of use	119
6.4	Finger protection on main closing edge	120
6.4.1	HS-25	120
6.4.2	Swing GUARD	121

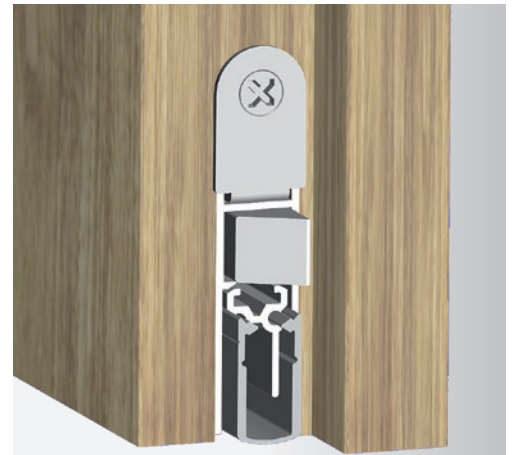
7. Door opening restrictor		Page
	Introduction to the Porti® family	122
7.1	Porti® for wooden doors	123
7.2	Porti® for glass doors	124



Doppeldicht® M-12/35

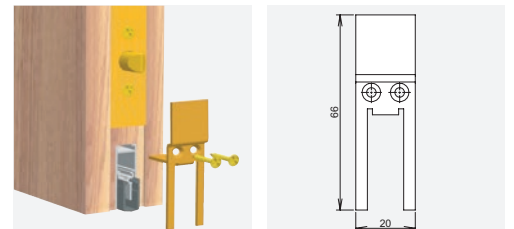
The slimline acoustic door seal

- Double actuation for individual floor level adjustment
- Single actuation optional
- Hinge-side actuator button, stepless fine adjustment
- of deeper grooves up to 40 mm possible
- Extra depth of groove is covered with stainless steel mounting bracket
- Slight subsequent reduction of door height



Optional: Special mounting bracket

- For use with multipoint locks
- Stile dimension: 20 mm
- Galvanised steel, art. no. 1589

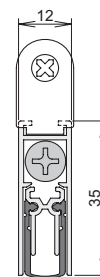


Fixing



Technical data

Groove width	12 mm	
Actuation	Double actuation	Single actuation
Sealing profile material	Silicone, self-extinguishing	
Maximum travel	11 mm	
Minimum length	650 mm, n.r.	235 mm, n.r.
Standard lengths	708, 833, 958, 1,083, 1,208 mm	
Maximum length	1,335 mm	
Can be shortened by	125 mm	
Article number	1-393	1-392



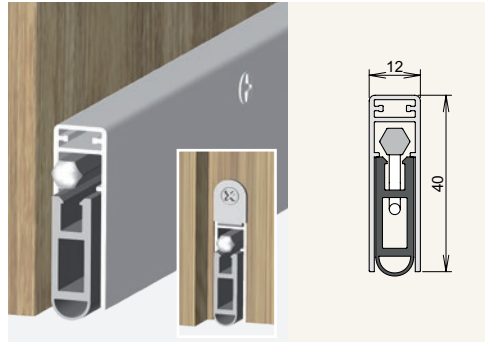
Accessories (included in delivery)

Art. no. 5220 including stainless steel press plate



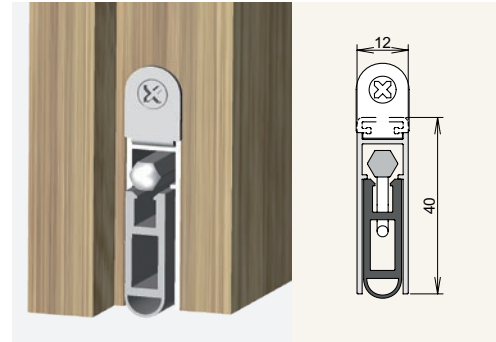
Kältefeind® Allround

- The classic seal on the market
- Proven over more than 50 years
- Surface: silver-coloured, anodised
- With **3** possible fixing configurations
- Individually-packed

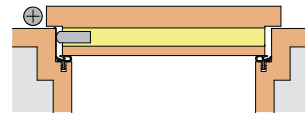
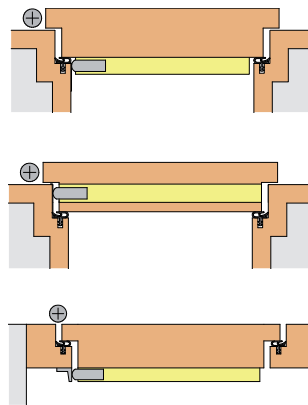


Kältefeind® WS

- Cost-effective version,
for in-groove mounting only
- Surface: Aluminium, natural



Fixing



Technical data

Groove width	12 mm	12 mm
Actuation	Single actuation	Single actuation
Sealing profile material	PVC	PVC
Maximum travel	max. 18 mm	max. 18 mm
Minimum length	310 mm (cannot be shortened)	310 mm (cannot be shortened)
Standard lengths	708, 833, 958, 1,083, 1,208 mm	708, 833, 958, 1,083, 1,208 mm
Maximum length	2,000 mm	2,000 mm
Can be shortened by	125 mm from 708 mm	125 mm from 708 mm
Article number	Art. no. 1-689	Art. no. 1-682
Accessories (included in delivery)	Art. no. 5128	Art. no. 5102



Schall-Ex® Inut

In direct contact with the door groove

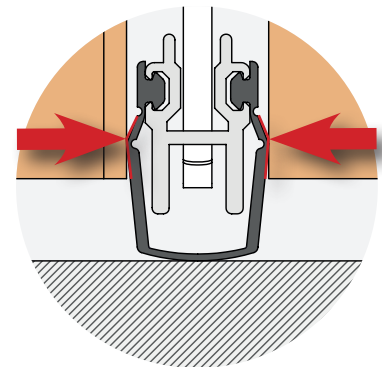
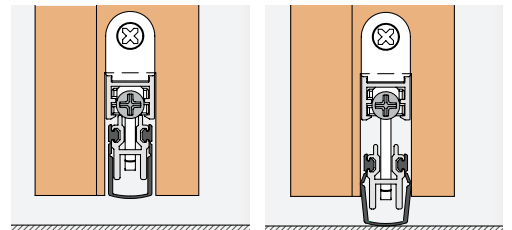
- Lateral seal inside the groove
- Compensates for tolerances in the groove
- Hinge-side actuator for fine adjustment
- Also for double-wing doors

For use with acoustic doors

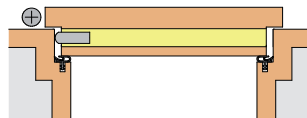
- High sound insulation capacity of 49 dB at a sealing height of 7 mm

For use with fire and smoke doors

- A single model to suit all applications
- Silicone profile for a flexible fit in the groove and to the floor

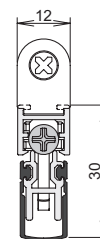


Fixing



Technical data

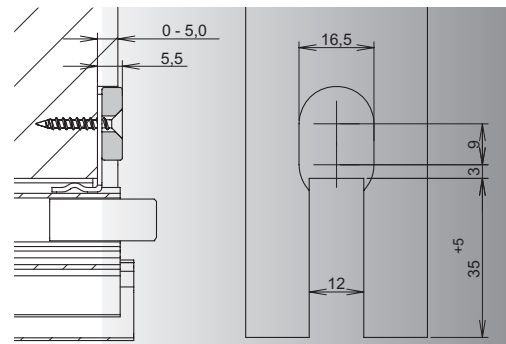
Groove width	12 mm
Actuation	Single actuation
Sealing profile material	Silicone, self-extinguishing
Maximum travel	11 mm
Minimum length	310 mm (cannot be shortened)
Standard lengths	708, 833, 958, 1,083, 1,208 mm
Maximum length	1,208 mm
Can be shortened by	125 mm
Article number	1-698
Accessories (included in delivery)	Art. no. 5102 including stainless steel press plate



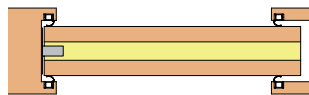


Schall-Ex® Slide & Lock M-12 WS

- Slimmest acoustic door seal with only 12 mm groove width
- High sound reduction values through patented internal sealing system
- With integrated holding magnet to prevent unintentional opening and to maintain the actuating pressure of the seal



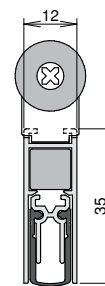
Fixing



Technical data

Groove width	12 mm
Actuation	Single actuation
Sealing profile material	Silicone, self-extinguishing
Travel	11 mm
Minimum length	280 mm (cannot be shortened)
Standard lengths	708, 833, 958, 1,083, 1,208 mm
Maximum length	1,958 mm
Can be shortened by	125 mm from 708 mm
Article number	1-549

Accessories (included in delivery) Art. no. 5105 incl. galvanised steel press plate, holding magnet



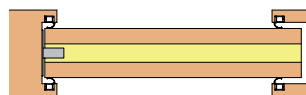


Schall-Ex® Slide M-12 WS

- ▭ Slimmest acoustic door seal with only 12 mm groove width
- ▭ High sound reduction values through patented internal sealing system

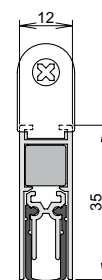


Fixing



Technical data

Groove width	12 mm
Actuation	Single actuation
Sealing profile material	Silicone, self-extinguishing
Travel	11 mm
Minimum length	280 mm (cannot be shortened)
Standard lengths	708, 833, 958, 1,083, 1,208 mm
Maximum length	1,958 mm
Can be shortened by	125 from 708 mm
Article number	1-548
Accessories (included in delivery)	Art. no. 5113 including zinc die-cast press plate





Schall-Ex® SLIDE M-12 WS ZA

- For installation in sliding doors, with concealed actuation mechanism on the adjacent closing edge
- Free passage through opened sliding door
- Optimal continuous adjustment using the adjusting screw
- For sliding doors with locks
- DIN R / L specification necessary

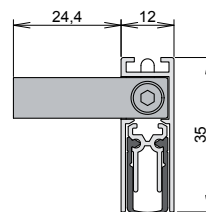


Function



Technical data

Groove width	12 mm
Actuation	Single actuation
Sealing profile material	Silicone, self-extinguishing
Travel	11 mm
Minimum length	450 mm (cannot be shortened)
Standard lengths	708, 833, 958, 1,083, 1,208 mm
Maximum length	1,605 mm
Can be shortened by	Cannot be shortened
Article number	DIN-L 1-844 DIN-R 1-845
Accessories (included in delivery)	art. no. 5220





Unidicht WS

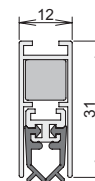
- Reliable performance and easy installation
- Inexpensive design
- With double or single actuation option
- For in-groove mounting



Fixing

Technical data

Groove width	12 mm	
Actuation	Double actuation	Single actuation
Sealing profile material	PVC	
Maximum travel	11 mm	
Minimum length	650 mm	235 mm, n.r.
Standard lengths	708, 833, 958, 1,083, 1,208 mm	
Maximum length	1,333 mm	
Can be shortened by	125 mm	
Article number	1-306	1-307



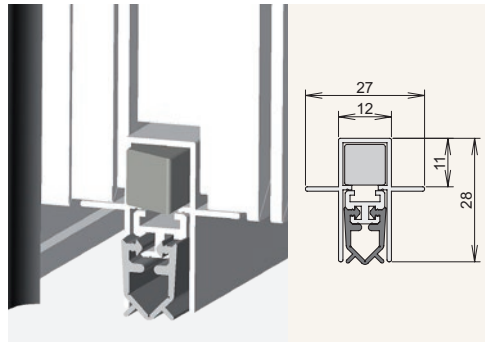
Accessories
(included in delivery)

Art. no. 5320
including stainless steel press plate



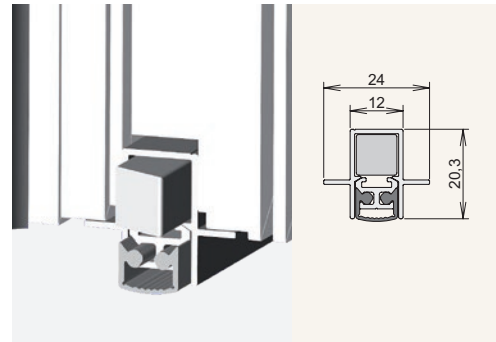
Unidicht ES

- Reliable performance and easy installation
- Inexpensive design
- With double or single actuation option
- For profile doors with Euro fittings

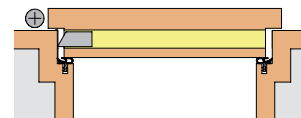


Unidicht S-12

- Reliable performance and easy installation
- Inexpensive design
- With double or single actuation option
- For profile doors with Euro fittings



Fixing



Technical data

Groove width	12 mm	
Actuation	Double actuation	Single actuation
Sealing profile material	Silicone, self-extinguishing	
Travel	11 mm	
Minimum length	650 mm	235 mm, n.r.
Standard lengths	708, 833, 958, 1,083, 1,208 mm	
Maximum length	1,335 mm	
Can be shortened by	125 mm	
Article number	1-302	1-303
Accessories (included in delivery)	Art. no. 5420 including press plates made of stainless steel	Art. no. 5503 including press plates made of stainless steel

Groove width	12 mm	
Actuation	Double actuation	Single actuation
Sealing profile material	Silicone, self-extinguishing	
Travel	6 mm	
Minimum length	650 mm	235 mm, n.r.
Standard lengths	708, 833, 958, 1,083, 1,208 mm	
Maximum length	1,335 mm	
Can be shortened by	125 mm	
Article number	1-375	1-374
Accessories (included in delivery)	Art. no. 5420 including press plates made of stainless steel	Art. no. 5503 including press plates made of stainless steel

Product family

Schall-Ex® L-15

- High sound insulation capacity of up to 52 dB
- As DUO version, with double actuation **(from page 23)**
- Increased stability of form in the door rebate area
- Optimal corner connection
- Easy handling with shortened seal length
- With optional flush bolt set-up
- For single and double-wing door systems
- Faster installation due to sliding actuator without a press plate



Smoke and fire doors



Acoustic doors



Barrier-free

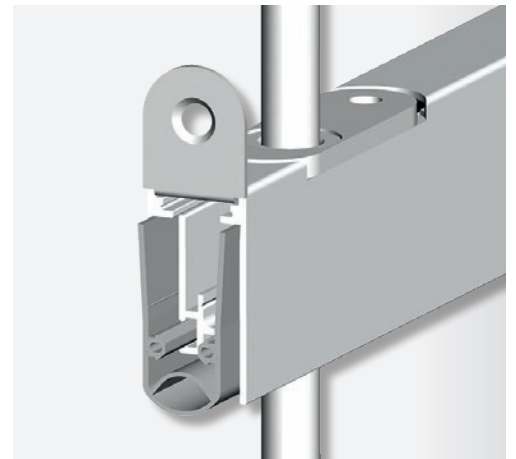


“Ü” sign of compliance

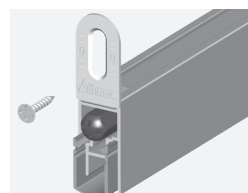
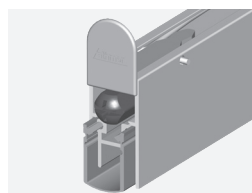
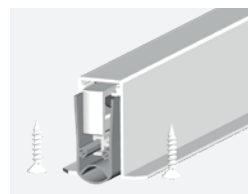
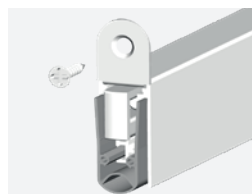


Possible fixing configurations

- Sealing profile made of self-extinguishing silicone for acoustic, smoke and fire protection
- Perfect seal in combination with Athmer thresholds **(page 89)**
- Meets requirements for barrier-free construction
- Automatic door seals carry the “Ü” sign of compliance



Certificate: "DIN approved - Barrier-free"





Schall-Ex® L-15/30 WS

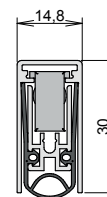
- Unrivalled sound reduction values:
52 dB with 7 mm sealing height
- For sealing heights up to 20 mm
- Sturdy inner mechanical parts with parallel actuation and optimum floor level adjustment
- Clip-on sliding actuator for safe start-up
- Seal adjustment without tools
- Quicker installation, since no need for press plate installation



Fixing

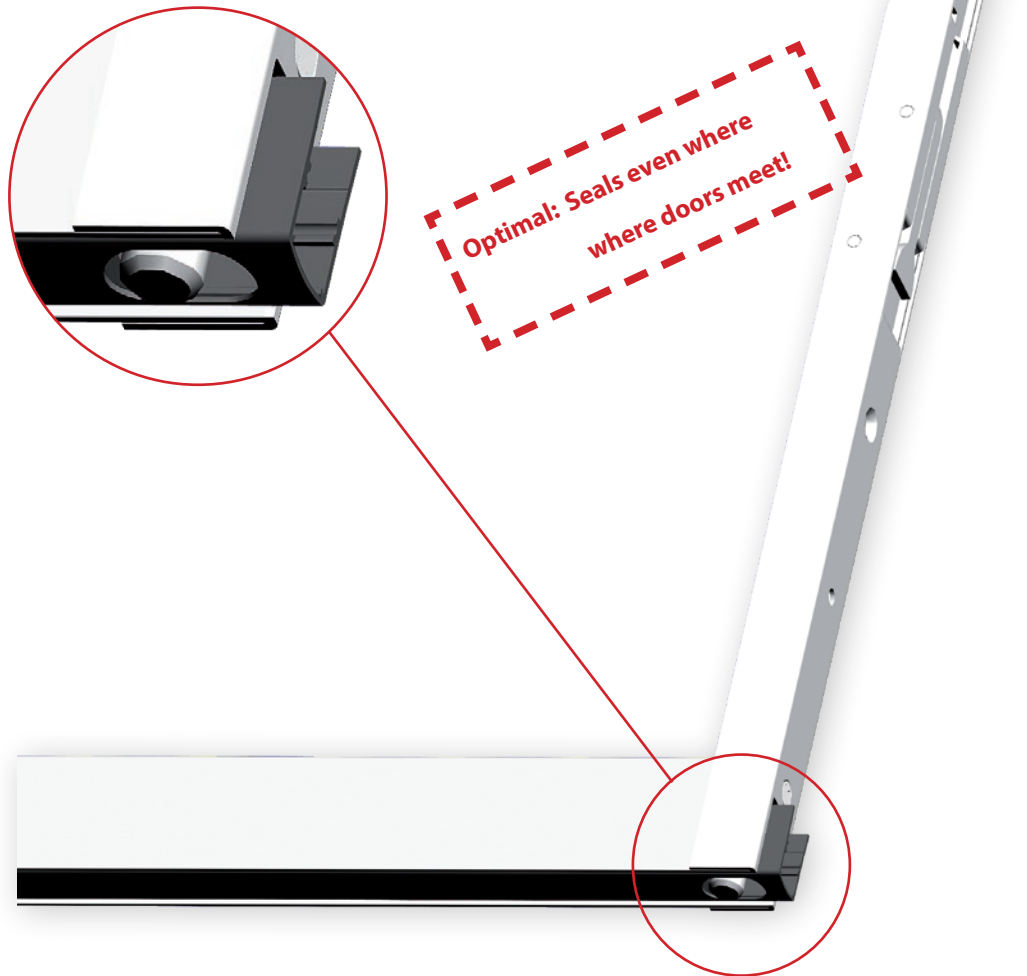


Groove width	15 mm
Actuation	Single actuation
Sealing profile material	Silicone, self-extinguishing
Travel	20 mm
Minimum length	235 mm (cannot be shortened)
Standard lengths	708, 833, 958, 1,083, 1,208 mm
Maximum length	2,000 mm
Can be shortened by	125 mm from 833 mm
Article number	1-880
Accessories (included in delivery)	Art. no. 5382



Sealing without gaps even with double-wing doors

Flush bolt set-up



Technical data

Flush bolts

- Stainless steel versions for top and bottom
- Bolt with continuously adjustable height
- Same milling dimensions at top and bottom

Athmer stainless steel
Flush bolt version

Versions

Art. no.

Dimensions:
17 mm x 250 mm

For the top:
TK-15/T

1653

Bolt:
Ø 8mm, travel: 15 mm

For the bottom:
TK-15/BXL

1792

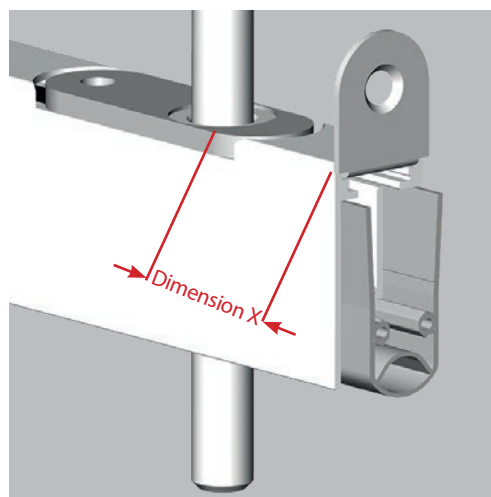
Door seal prepared for
flush bolt TK-15/BXL

Options

Sealing without gaps even with double-wing doors

Flush bolt set-up

- For Ø 8 mm flush bolt
- Secure guidance for flush bolt
- No extra milling required for the flush bolt assembly in the base of the groove
- Door seal prepared for flush bolt assembly
- State dimension X on the order
- Supply package includes bolt guide plate



Note: Minimum length if flush bolt hole incorporated = distance from drilled hole (X) + 272 mm

Flush bolts

- Flush bolts in two different lengths for locking and rebate flush bolt locks

Technical data

Type		Connection	Ø	Art. no.
Flush bolt TS-8/M6	1,187mm	M6	8mm	1502-1187
Flush bolt TS-8/M6	1,487mm	M6	8mm	1502-1487
Flush bolt TS-8/M10	1,217mm	M10	8mm	1502-1217
Flush bolt e TS-8/M10	1,517mm	M10	8mm	1502-1517
Bolt guide plate for TS-8...				5135

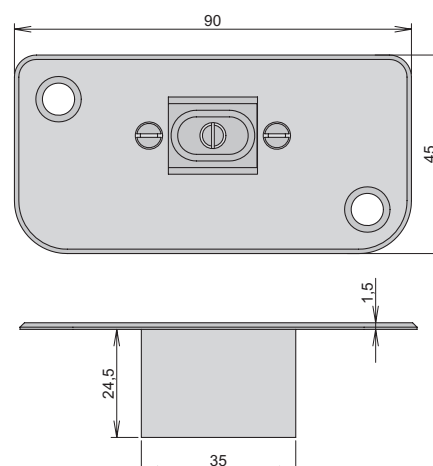
Floor strike recess BS-8

- For Ø 8 mm flush bolt
- Best possible width and locking position for steel, wooden and tubular frame doors
- Continuously adjustable range ± 2 mm in opening and closing direction
- Art. no. 128



Technical data

Material	Stainless steel floor plate and aluminium recess
Installation	Fix to floor using 2 countersunk screws Ø 4.5 mm (not supplied).
Recess required in floor	30 x 40, depth > 26 (mm)





Schall-Ex® L-15/30 OS

- ▬ Can be screw-fixed to lower door surface
- ▬ Unrivalled sound reduction values:
 - 52 dB with 7 mm sealing height
- ▬ For sealing heights up to 20 mm
- ▬ Increased stability of form in the door rebate area
- ▬ Optimal corner connection
- ▬ Easy handling with shortened seal length
- ▬ Sturdy inner mechanical parts with parallel actuation and optimum floor level adjustment
- ▬ Clip-on sliding actuator for safe start-up
- ▬ Seal adjustment without tools
- ▬ Quicker installation, since no need for press plate installation



Fixing

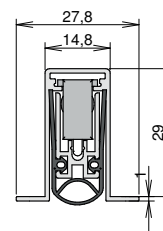


Technical data

Groove width	15 mm
Actuation	Single actuation
Sealing profile material	Silicone, self-extinguishing
Travel	20 mm
Minimum length (cannot be shortened)	235 mm (cannot be shortened)
Standard lengths	708, 833, 958, 1,083, 1,208 mm
Maximum length	2,000 mm
Can be shortened by	125 mm from 833 mm
Article number	1-881

Accessories
(included in delivery)

-

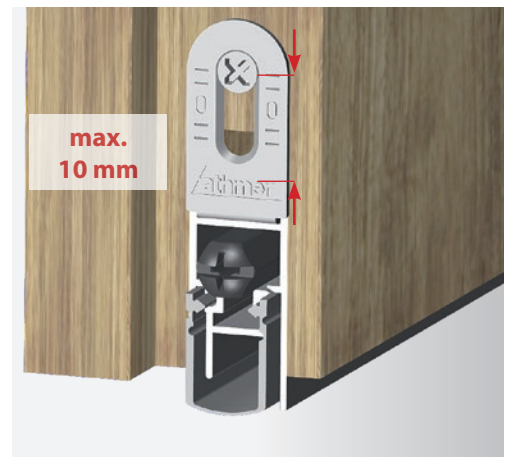
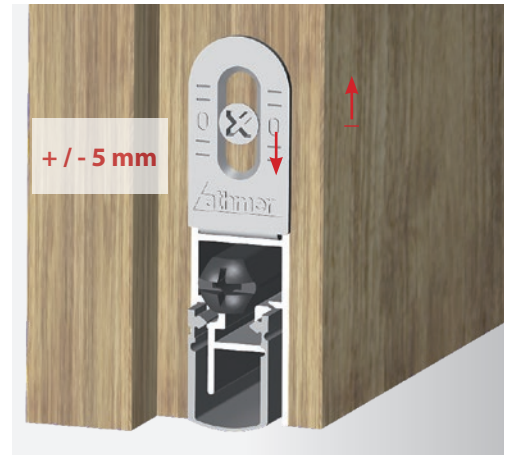




Schall-Ex® L-15/30 VS

- Height-adjustable mounting bracket (adjustment range: 10 mm)
- Optimal sound reduction even with deeper groove

- Mounted protruding from the groove:
 - Short travel
 - Short actuation travel
 - Geometry more favourable = less dragging, wear etc.
 - Larger sealing heights can be bridged



Fixing



Technical data

Groove width	15 mm
Actuation	Single actuation
Sealing profile material	Silicone, self-extinguishing
Travel	12 mm
Minimum length	235 mm (cannot be shortened)
Standard lengths	708, 833, 958, 1,083, 1,208 mm
Maximum length	1,600 mm
Can be shortened by	125 mm from 708 mm
Article number	1-721
Accessories (included in delivery)	Art. no. 5130 including stainless steel press plate





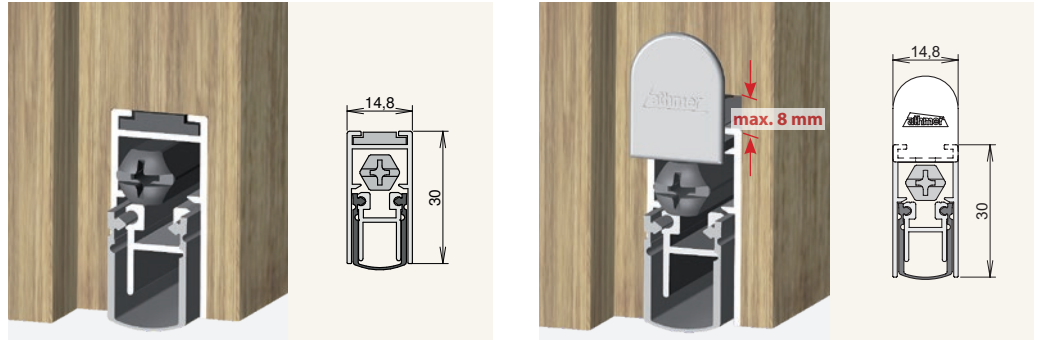
**Quick fixing
without tools**

Schall-Ex® L-15 QFS

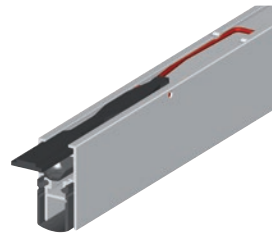
- Ideal quick fixing for automatic installation
- Fixing with **flat insert**

Schall-Ex® L-15 QF

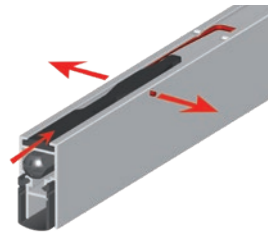
- Ideal quick fixing for automatic installation
- Fixing with **bracket insert**
- Groove coverage of up to 8 mm
- Optional shortening kit



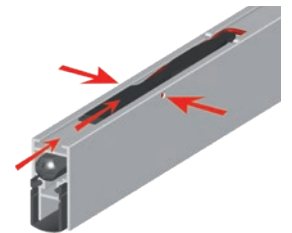
**Fixing
QFS version**



➤ Slides in



➤ Locks in place



➤ Slides out

Technical data

Groove width	15 mm	15 mm
Actuation	Single actuation	Single actuation
Sealing profile material	Silicone, self-extinguishing	Silicone, self-extinguishing
Travel	12 mm	12 mm
Minimum length	255 mm (cannot be shortened)	235 mm (cannot be shortened)
Standard lengths	708, 833, 958, 1,083, 1,208 mm	708, 833, 958, 1,083, 1,208 mm
Maximum length	1,600 mm	1,600 mm
Can be shortened by	125 mm from 708 mm	125 mm from 708 mm (optional shortening kit)
Article number	1-693	1-545
Accessories (included in delivery)	Art. no. 5503 including stainless steel press plate	Art. no. 5123 including stainless steel press plate



Schall-Ex® L-15/29 TG

- Sound absorption capacity > 50 dB with a sealing height of 7 mm
- Bracketless fixing by sliding into track attached in the base of the groove
- Increased stability of form in the door rebate area
- Optimal corner connection
- Easy handling with shortened seal length

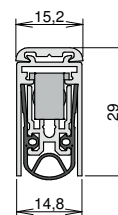


Fixing



Technical data

Groove width	15 mm
Actuation	Single actuation
Sealing profile material	Silicone, self-extinguishing
Travel	17 mm
Minimum length	235 mm (cannot be shortened)
Standard lengths	708, 833, 958, 1,083, 1,208 mm
Maximum length	1,600 mm
Can be shortened by	125 mm from 708 mm
Article number	1-898
Accessories (included in delivery)	without



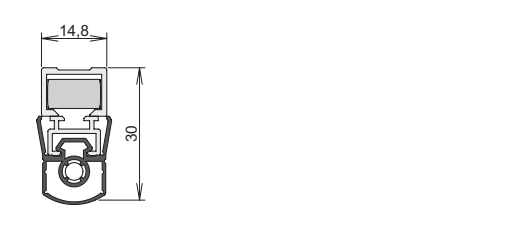
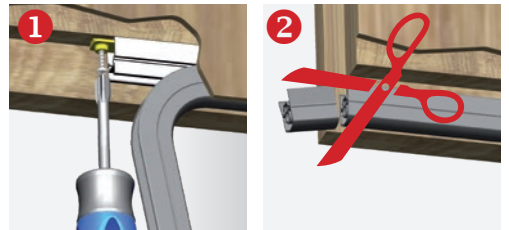
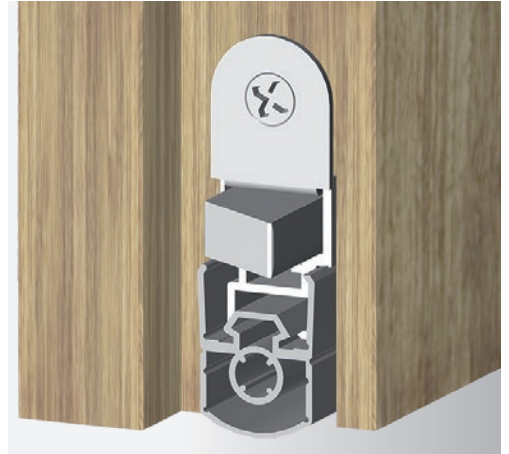


**Shortening
without tools**

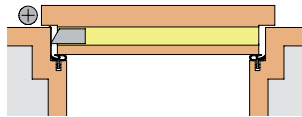
Schall-Ex® VL-15/30

The first variable fixed length!

- No more shavings caused by sawing and deburring during shortening
- Quick and clean shortening of the standard lengths by up to 125 mm (lock side)
- Fixed lengths can be kept in stock
- Minimises costs thanks to reduction in number of ordering processes

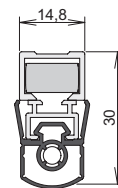


Fixing



Technical data

Groove width	15 mm
Actuation	Single actuation
Sealing profile material	Silicone, self-extinguishing
Travel	11 mm
Minimum length	583 mm (cannot be shortened)
Standard lengths	708, 833, 958, 1,083, 1,208 mm
Maximum length	1,333 mm
Can be shortened by	125 mm from 833 mm
Article number	1-841
Accessories (included in delivery)	Art. no. 5305 including stainless steel press plate





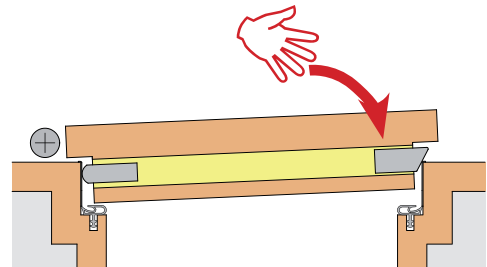
Schall-Ex® DUO L-15

- door movement leaves no traces:
Double actuation ensures there are no visible worn areas
- No need to push away the door leaf:
Actuation more effortless than ever before!
- High sound absorption value > 50 dB



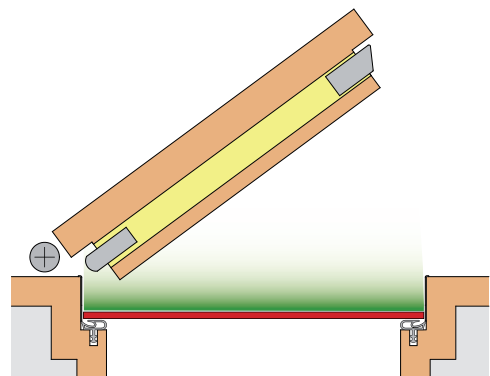
Feather-light actuation on lock side

- Minimal pressure required: barely perceptible

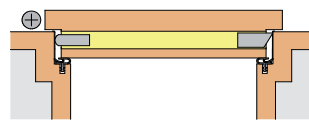


No dragging

- Up to 83 % reduction in areas showing wear

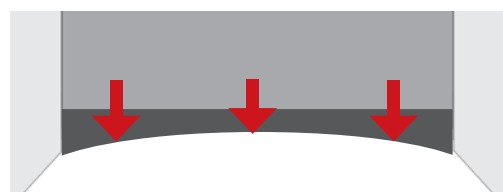
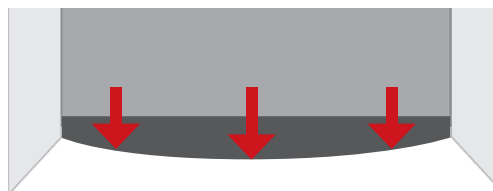


Fixing



Optimal adjustment for uneven floors

- Spring mechanisms ensure excellent floor level adjustment even with concave or convex floors
- 3 spring mechanisms





Schall-Ex® DUO L-15 WS

- ▬ Double actuation
- ▬ High sound reduction value > 50dB with a sealing height of 7 mm
- ▬ No visible worn areas
- ▬ Minimal pressure required for actuation

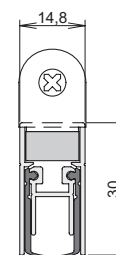


Fixing



Technical data

Groove width	15 mm
Actuation	Double actuation
Sealing profile material	Silicone, self-extinguishing
Travel	14 mm
Minimum length	708 mm (cannot be shortened)
Standard lengths	708, 833, 958, 1,083, 1,208 mm
Maximum length	1,600 mm
Can be shortened by	125 mm from 833 mm
Article number	1-382
Accessories (included in delivery)	Art. no. 5435 including stainless steel press plates

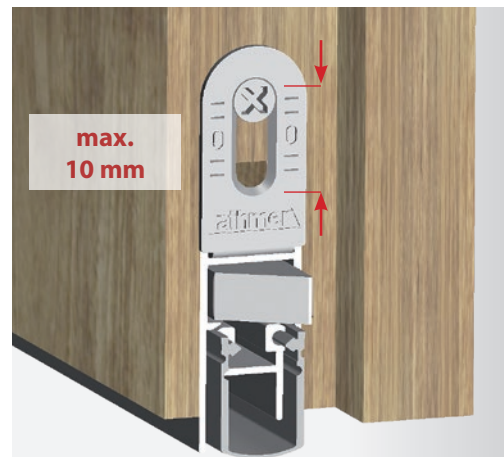
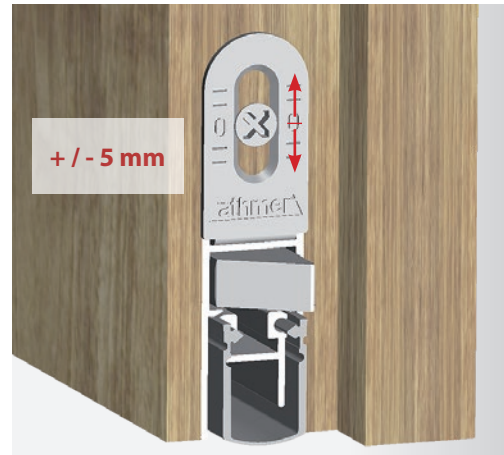




Schall-Ex® DUO L-15 VS

- Height-adjustable mounting bracket (adjustment range: 10 mm)
- Optimal sound reduction even with deeper groove

- Mounted protruding from the groove:
 - Short travel
 - Short actuation travel
 - Geometry more favourable = less dragging, wear etc.
 - Larger sealing heights can be bridged

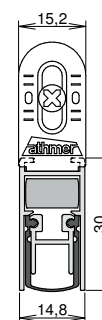


Fixing



Technical data

Groove width	15 mm
Actuation	Double actuation
Sealing profile material	Silicone, self-extinguishing
Travel	12 mm
Minimum length	708 mm (cannot be shortened)
Standard lengths	708, 833, 958, 1,083, 1,208 mm
Maximum length	1,600 mm
Can be shortened by	125 mm from 833 mm
Article number	1-720
Accessories (included in delivery)	Art. no. 5130 including stainless steel press plates



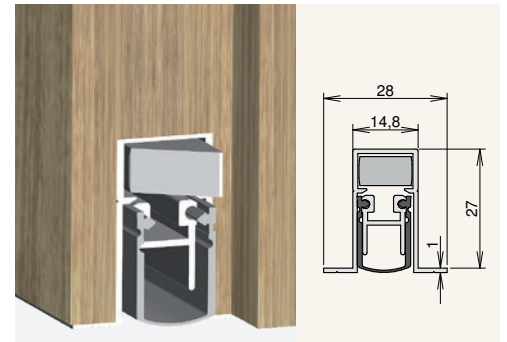
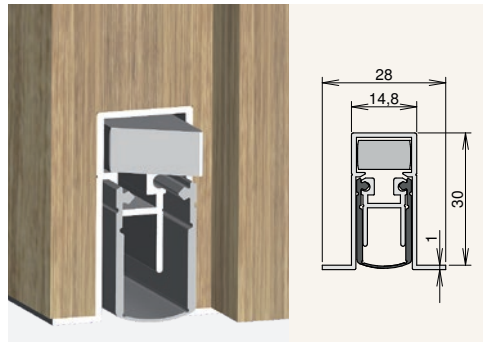


Schall-Ex® DUO L-15/31 OS

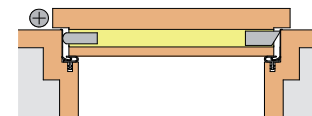
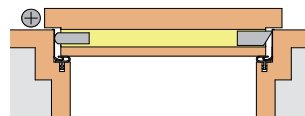
- High sound insulation capacity of up to 52 dB
- Available in fixed and standard lengths

Schall-Ex® DUO L-15/28 OS

- High sound insulation capacity of up to 52 dB
- Available in fixed and standard lengths



Fixing



Technical data

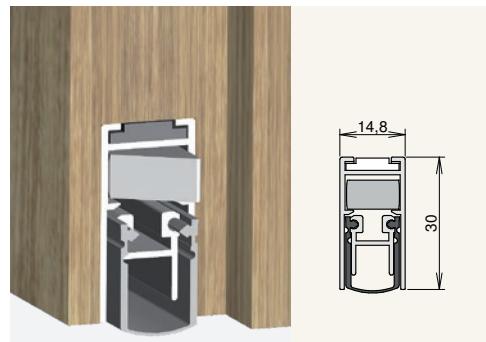
Groove width	15 mm	15 mm
Actuation	Double actuation	Double actuation
Sealing profile material	Silicone, self-extinguishing	Silicone, self-extinguishing
Travel	14 mm	12 mm
Minimum length	708 mm (cannot be shortened)	708 mm (cannot be shortened)
Standard lengths	708, 833, 958, 1,083, 1,208 mm	708, 833, 958, 1,083, 1,208 mm
Maximum length	1,600 mm	1,600 mm
Can be shortened by	125 mm from 833 mm	125 mm from 833 mm
Article number	1-383	1-404
Accessories (included in delivery)	Art. no. 5420 including stainless steel press plates	Art. no. 5420 including stainless steel press plates



**Quick fixing
without tools**

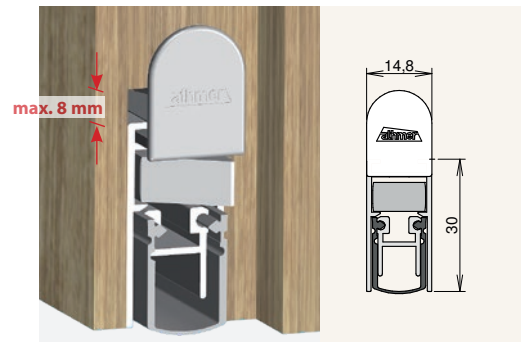
Schall-Ex® DUO L-15 QFS

- Ideal quick fixing for automatic installation
- Fixing with **flat insert**
- Seal can be cut to length



Schall-Ex® DUO L-15 QF

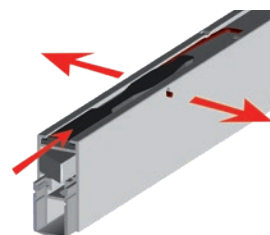
- Ideal quick fixing for automatic installation
- Fixing with **bracket insert**
- Groove coverage of up to 8 mm
- Optional shortening kit



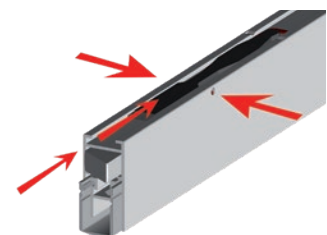
**Fixing
QFS version**



➤ Slides in



➤ Locks in place



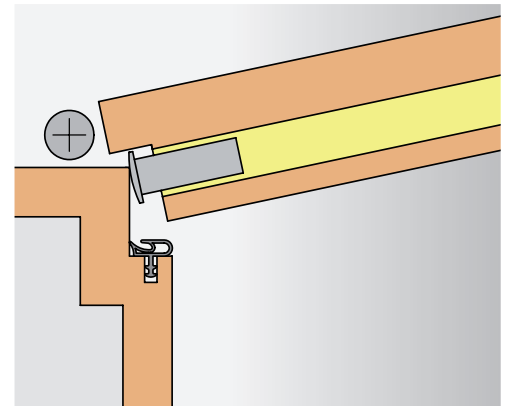
➤ Slides out

Technical data

Groove width	15 mm	15 mm
Actuation	Double actuation	Double actuation
Sealing profile material	Silicone, self-extinguishing	Silicone, self-extinguishing
Travel	12 mm	12 mm
Minimum length	708 mm (cannot be shortened)	708 mm (cannot be shortened)
Standard lengths	708, 833, 958, 1,083, 1,208 mm	708, 833, 958, 1,083, 1,208 mm
Maximum length	1,600 mm	1,600 mm
Can be shortened by	125 mm from 833 mm	125 mm from 833 mm (Optional shortening kit 5430)
Article number	1-694	1-544
Accessories (included in delivery)	Art. no. 5420 including stainless steel press plates	Art. no. 5123 including stainless steel press plates

Sliding actuator

- Option for hinge-side actuator
- Reliable performance without press plate
- glides over the surfaces
- No damage caused to door frame caused by hinge-side actuator
- For painted, varnished, or colour coated door frames made of steel or wood
- Adjustable using a screwdriver open-end wrench or ring spanner

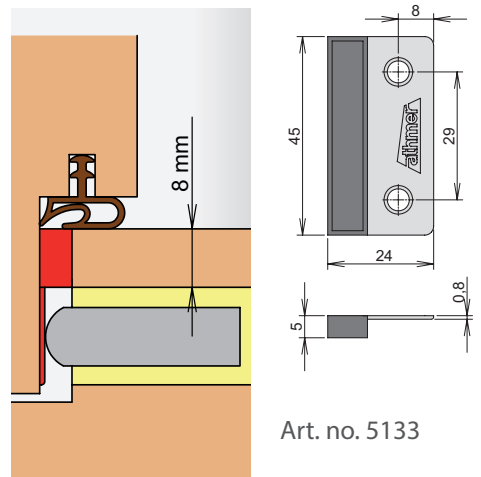


Test report available on request

Corner seal B-24

The sealing profile is often cut to match the door leaf rebate dimension; it is almost impossible to cut the seal on the opening face to exactly the right length. B-24 closes the gaps between the frame and the door.

- Gain of 3 to 5 dB
- Less effort is required for installation, since no cutting of the hinge-side seal is required
- Stainless steel plate with rubber profile
- Also functions reliably for smoke and fire doors
- Can be also used at the lock side of the door for added benefit
- Suitable for DIN R / L doors.
- Art. No.: 5133

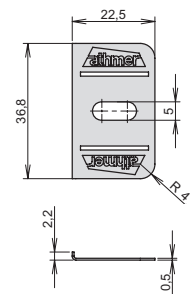
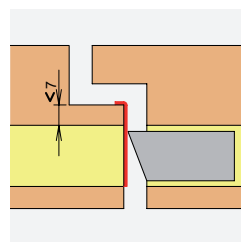


Art. no. 5133

Stainless steel

Press plate for the meeting stiles

- Use the advantage of double actuation for the active wing
- Schall-Ex® DUO L-15 WS
- Can be used on right or left

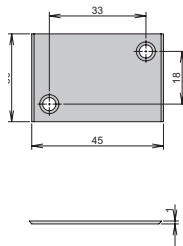


Art. no. 5514

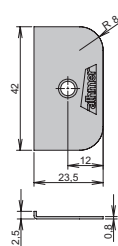
Stainless steel

Further press plates

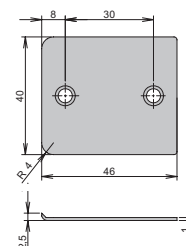
- To fit different rebate dimensions



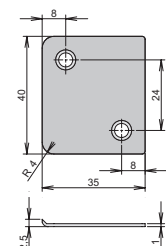
Art. no. 8117



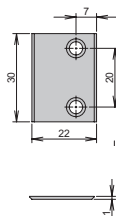
Art. no. 248



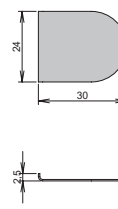
Art. no. 8107



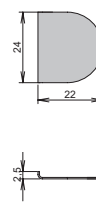
Art. no. 8111



Art. no. 8118

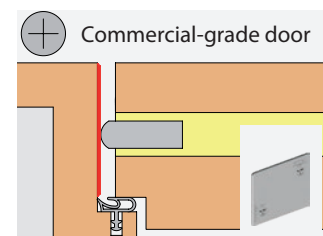
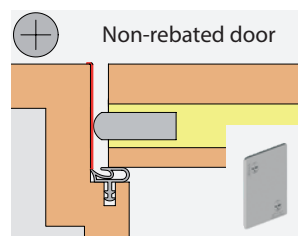
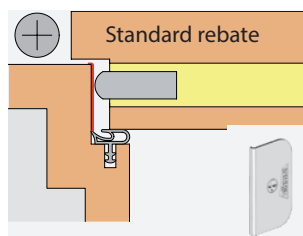


Art. no. 8106



Art. no. 8104

Application



Product family

Schall-Ex® Ultra

- For all applications:
 - Acoustic, smoke and fire doors
- High sound absorption capacity: 49 dB
- Actuation on the opening face with automatic height and level adjustment
- Lock-side actuation,
 - Minimal pressure required for actuation
- Self-adjusting with overload protection
- Supply package includes accessories
- Optionally with single actuation, e.g. for the passive wing



Smoke and fire doors



- Sealing profile made of self-extinguishing silicone for acoustic, smoke and fire protection
- Superior seal in combination with Athmer thresholds

Acoustic doors



- Automatic door seals carry the "Ü" sign of compliance

Front doors



- Anodised housing made of aluminium for long-term resistance to climatic conditions
- Stainless steel springs and rustproof inner mechanical parts
- Silicone profile prevents freezing in position and ensures flexible seal with the floor even in icy conditions

Damp rooms



- Schall-Ex® Ultra is the optimal choice for Damp and wet room doors
- Corrosion-tested in accordance with EN 1670
- Highest corrosion class 5 = 480 hours of salt spray testing
- Double durability testing under wet-room conditions
- Full functionality after 500,000 cycles



Barrier-free



- Meets requirements for barrier-free construction

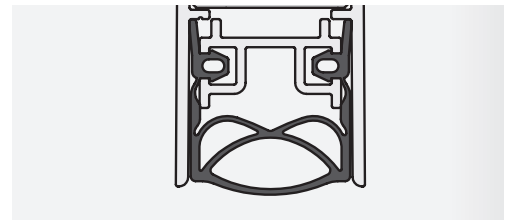


Certificate:
"DIN approved - Barrier-free"



Multi-chamber seal

- The chambers in the seal help to provide thermal separation and break up sound waves
- Predetermined bending point for improved inner sealing
- Practically noiseless operation thanks to integrated cushioning in the silicone seal

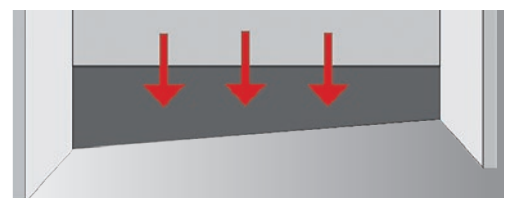
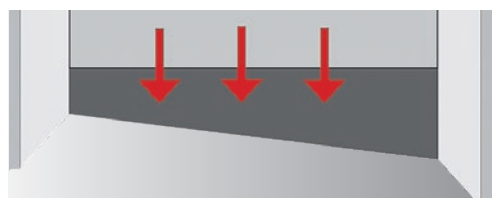


floor level adjustment



- Floor level adjustment with concave and convex floors

Automatic level compensation

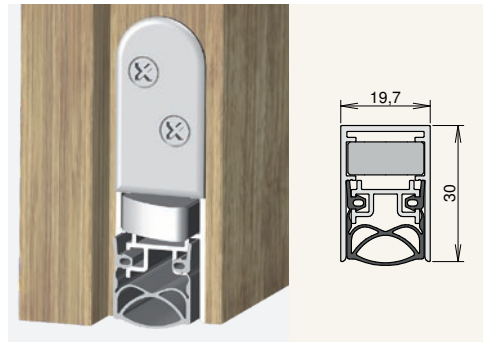


- With integrated overload protection as standard:
Constant and even, therefore optimal floor contact pressure
- Saves time, since no fine adjustment necessary
- Improved operational reliability since the system self-adjusts if conditions change



Schall-Ex® Ultra WS

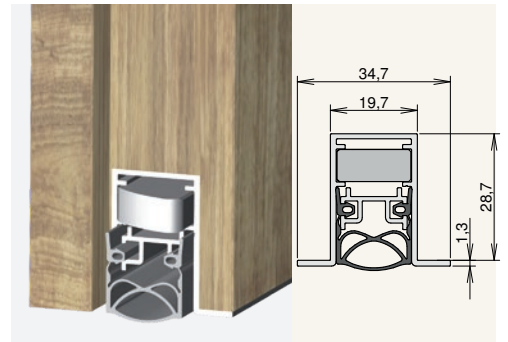
- Actuation on the opening face with automatic height and level adjustment
- Lock-side actuation, Minimal pressure required for actuation
- Self-adjusting with overload protection



➤ Tested in accordance with EN 1670

Schall-Ex® Ultra OS

- Actuation on the opening face with automatic height and level adjustment
- Lock-side actuation, Minimal pressure required for actuation
- Self-adjusting with overload protection



➤ Tested in accordance with EN 1670

Fixing

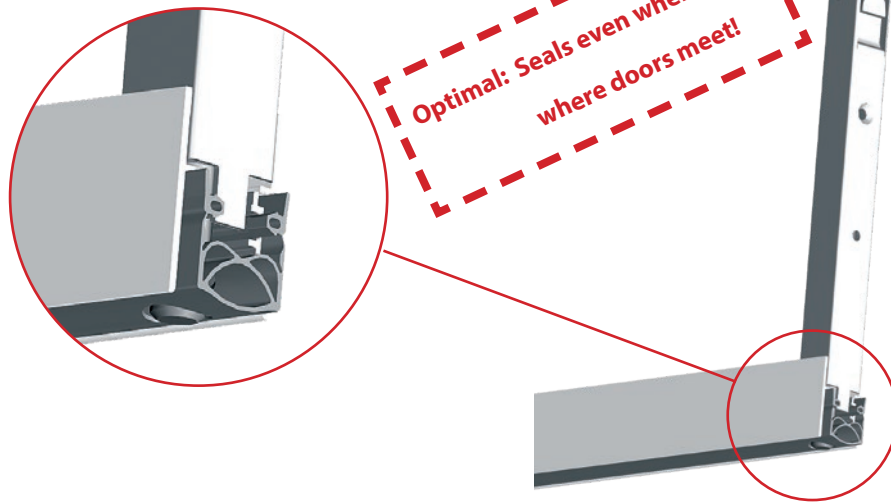


Technical data

Groove width	20 mm		20 mm	
Actuation	Double actuation	Single actuation	Double actuation	Single actuation
Sealing profile material	Silicone, self-extinguishing		Silicone, self-extinguishing	
Travel	12 mm		12 mm	
Minimum length	708 mm	220 mm (n. s.)	708 mm	220 mm (n. s.)
Standard lengths	708, 833, 958, 1,083, 1,208 mm		708, 833, 958, 1,083, 1,208 mm	
Maximum length	1,500 mm	2,000 mm	1,500 mm	2,000 mm
Can be shortened by	125 mm from 708 mm		125 mm from 708 mm	
Article number	1-290	1-291	1-292	1-293
Accessories (included in delivery)	Art. no. 5600 including stainless steel press plates	Art. no. 5610 including stainless steel press plate	Art. no. 5420 including stainless steel press plates	Art. no. 5503 including stainless steel press plate

Sealing without gaps even with double-wing doors

Flush bolt set-up



Flush bolts

- Stainless steel versions for top and bottom
- Bolt with continuously adjustable height
- Same milling dimensions at top and bottom

Technical data

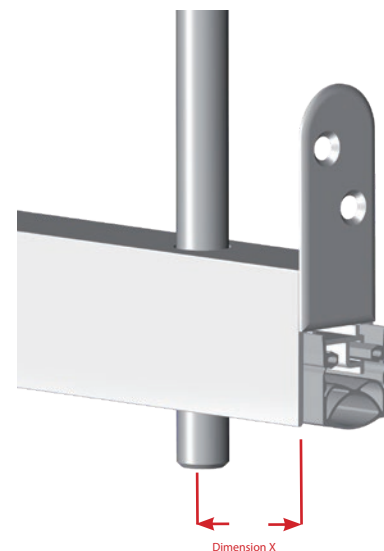
Athmer stainless steel Flush bolt version	Versions	Art. no.
Dimensions: 17 mm x 250 mm	For the top: TK-15/T	1653
Bolt: Ø 8mm, travel: 15 mm	For the bottom: TK-20/B-SU	1652-2
Door seal prepared for flush bolt TK-20/B-SU		

Options

Flush bolt set-up

- For Ø 10 mm standard flush bolt
 - Optional:**
 - Seal prepared for flush bolt assembly
 - for smoke and fire protection doors with standard flush bolt
 - Available for all backsets
 - State dimension X on the order
 - Floor strike recess BS-10 can be used
- Note:

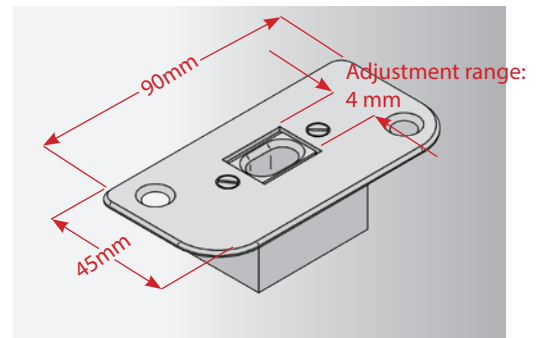
Minimum length if flush bolt hole incorporated = distance from drilled hole (X) + 217 mm



Stainless steel floor strike recess

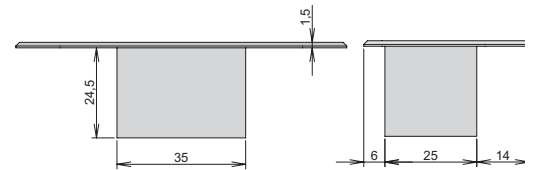
BS-10

- Best possible width and locking position for steel, wooden and tubular frame doors
- Continuously adjustable range ± 2 mm in opening and closing direction
- With its elongated slot, the retainer makes positioning easy and compensates for any lateral tolerances
- Optimal for automatic locks:
Long mounting surface and wide chamfer
- Easy installation with only two diagonally arranged fixing screws (customer supply).



Technical data

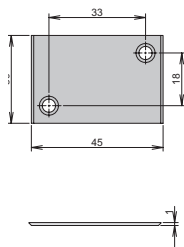
Material	Stainless steel floor plate and aluminium recess
Installation	Fix to floor using two countersunk screws $\varnothing 4.5$ mm.
Recess required in floor	30 x 40, > 26 depth
Article number	129



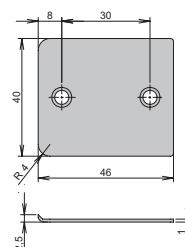
Stainless steel

Further press plates

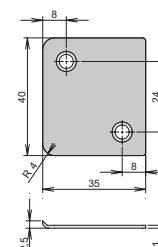
- To fit different rebate dimensions



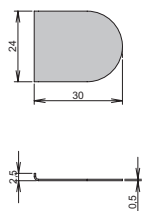
Art. no. 8117



Art. no. 8107

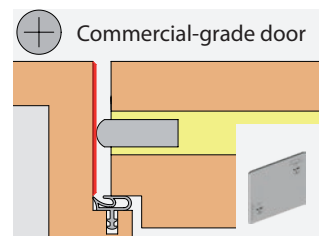
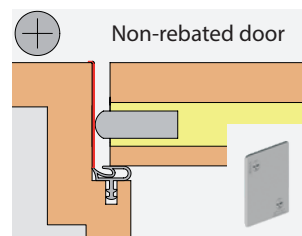
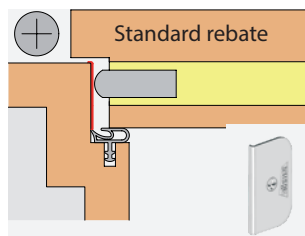


Art. no. 8111



Art. no. 8106

Application



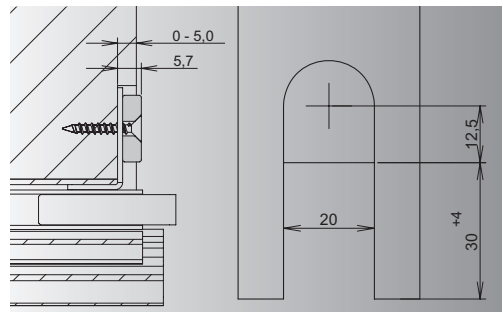


Schall-Ex® Slide & Lock M-20 WS

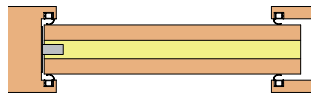
- Automatic height and level compensation
- Higher safety of use through self-adjustment to changing conditions
- With integrated overload protection as standard
- Optimised sealing profile with sound reduction > 50 dB with 7 mm sealing height



- Suitable for damp and wet room doors: tested in accordance with EN 1670



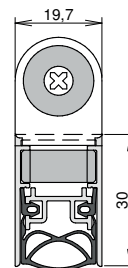
Fixing



Technical data

Groove width	20 mm
Actuation	Single actuation
Sealing profile material	Silicone, self-extinguishing
Travel	12 mm
Minimum length	220 mm (cannot be shortened)
Standard lengths	708, 833, 958, 1,083, 1,208 mm
Maximum length	2,000 mm
Can be shortened by	125 mm from 708 mm
Article number	1-550

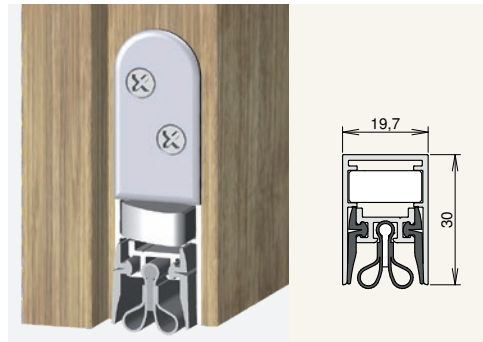
Accessories (included in delivery) Art. No. 5103 incl. galvanised steel press plate, holding magnet





Schall-Ex® Radiation protection WS

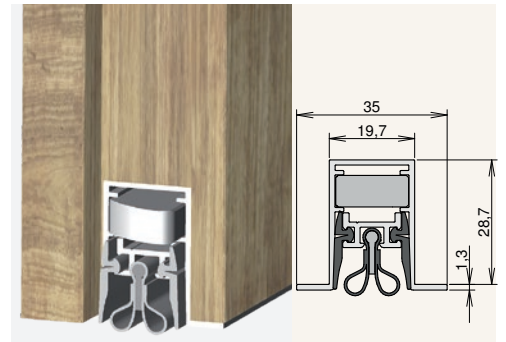
- For doors with radiation protection requirements
- Automatic height and level compensation
- Self-adjusting with overload protection



- Suitable for use with radiation protection doors: in accordance with DIN 6834

Schall-Ex® Radiation protection OS

- For doors with radiation protection requirements
- Automatic height and level compensation
- Self-adjusting with overload protection



- Suitable for use with radiation protection doors: in accordance with DIN 6834

Fixing



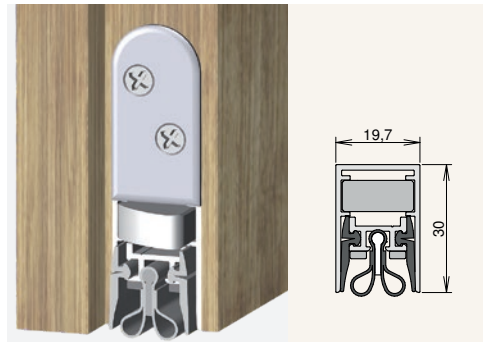
Technical data

	20 mm		20 mm	
	Double actuation	Single actuation	Double actuation	Single actuation
Groove width	20 mm		20 mm	
Actuation	Double actuation	Single actuation	Double actuation	Single actuation
Sealing profile material	Silicone, lead rubber		Silicone, lead rubber	
Travel	12 mm		12 mm	
Minimum length	708 mm	220 mm	708 mm	220 mm (n. s.)
Standard lengths	708, 833, 958, 1,083, 1,208 mm		708, 833, 958, 1,083, 1,208 mm	
Maximum length	1,500 mm	2,000 mm	1,500 mm	2,000 mm
Can be shortened by	125 mm from 708 mm		125 mm from 708 mm	
Article number	1-528	1-529	1-294	1-295
Accessories (included in delivery)	Art. no. 5600 including stainless steel press plates	Art. no. 5610 including stainless steel press plate	Art. no. 5420 including press plates made of stainless steel	Art. no. 5503 including stainless steel press plates



Schall-Ex® Radiation protection WS BD

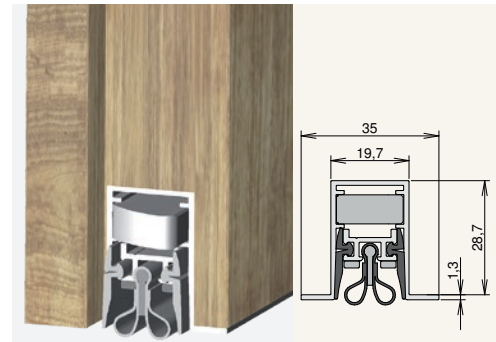
- For radiation protection doors with fire protection requirements
- Automatic height and level compensation
- Self-adjusting with overload protection



- Suitable for use with radiation protection doors: in accordance with DIN 6834

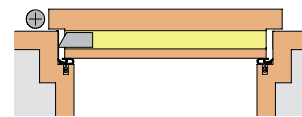
Schall-Ex® Radiation protection OS BD

- For radiation protection doors with fire protection requirements
- Automatic height and level compensation
- Self-adjusting with overload protection



- Suitable for use with radiation protection doors: in accordance with DIN 6834

Fixing



Technical data

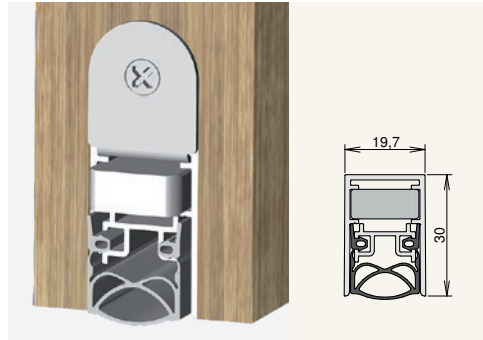
Groove width	20 mm	
Actuation	Double actuation	Single actuation
Sealing profile material	Silicone, lead rubber	
Travel	12 mm	
Minimum length	708 mm	220 mm (n. s.)
Standard lengths	708, 833, 958, 1,083, 1,208 mm	
Maximum length	1,500 mm	2,000 mm
Can be shortened by	125 mm from 708 mm	
Article number	1-522	1-521
Accessories (included in delivery)	Art. no. 5600 including stainless steel press plates	Art. no. 5610 including stainless steel press plate

Groove width	20 mm	
Actuation	Double actuation	Single actuation
Sealing profile material	Silicone, lead rubber	
Travel	12 mm	
Minimum length	708 mm	220 mm (n. s.)
Standard lengths	708, 833, 958, 1,083, 1,208 mm	
Maximum length	1,500 mm	2,000 mm
Can be shortened by	125 mm from 708 mm	
Article number	1-520	1-519
Accessories (included in delivery)	Art. no. 5420 including press plates made of stainless steel	Art. no. 5503 including press plates made of stainless steel



Schall-Ex® Slide M-20 WS

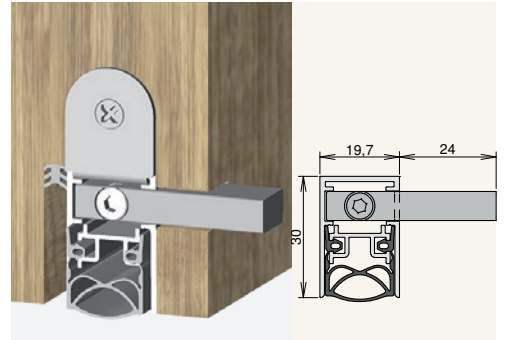
- ▬ Automatic height and level compensation
- ▬ Self-adjusting
- ▬ Integrated overload protection
- ▬ Sound absorption value > 50 dB with sealing height of 7 mm



▬ Tested in accordance with EN 1670

Schall-Ex® Slide M-20 WS ZA

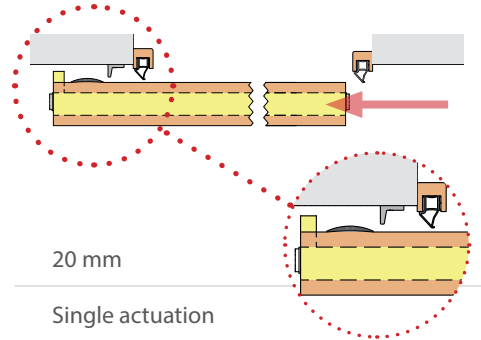
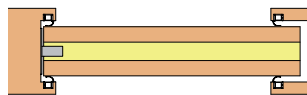
- ▬ For installation in sliding doors, with concealed actuation mechanism on the adjacent closing edge
- ▬ Automatic height and level compensation
- ▬ Self-adjusting
- ▬ Integrated overload protection



▬ Tested in accordance with EN 1670

▬ Tested in accordance with EN 1670!

Fixing



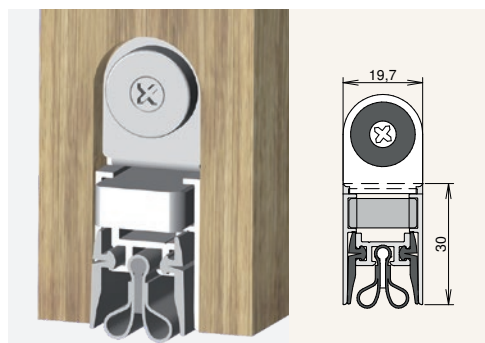
Technical data

Groove width	20 mm	20 mm
Actuation	Single actuation	Single actuation
Sealing profile material	Silicone, self-extinguishing	Silicone, self-extinguishing
Travel	12 mm	12 mm
Minimum length	220 mm (cannot be shortened)	650 mm
Standard lengths	708, 833, 958, 1,083, 1,208 mm	708, 833, 958, 1,083, 1,208 mm
Maximum length	2,000 mm	2,000 mm
Can be shortened by	125 mm from 708 mm	Cannot be shortened
Article number	1-556	1-846 (DIN-L) 1-847 DIN/R
Accessories (included in delivery)	Art. no. 5114 including zinc die-cast press plate	Art. no. 5114



Schall-Ex® Slide & Lock Radiation protection M-20 WS

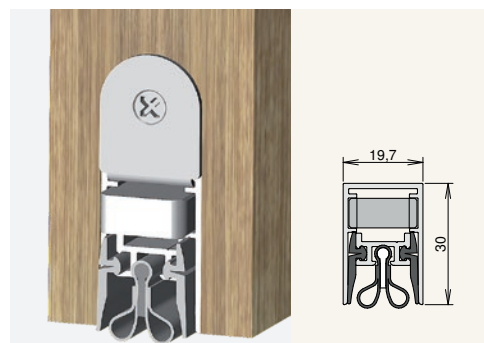
- Automatic height and level compensation
- Self-adjusting
- Integrated overload protection



↳ In accordance with DIN 6834

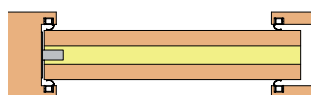
Schall-Ex® Slide Radiation protection M-20 WS

- Automatic height and level compensation
- Self-adjusting
- Integrated overload protection



↳ In accordance with DIN 6834

Fixing



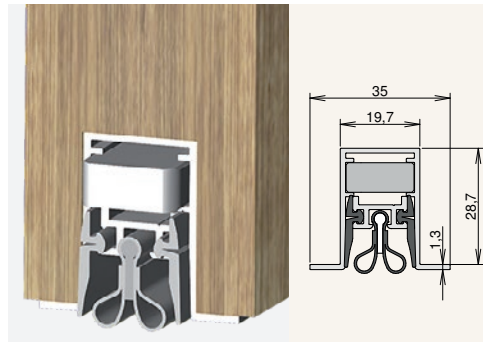
Technical data

Groove width	20 mm	20 mm
Actuation	Single actuation	Single actuation
Sealing profile material	Silicone, lead rubber	Silicone, lead rubber
Travel	12 mm	12 mm
Minimum length	220 mm (cannot be shortened)	220 mm (cannot be shortened)
Standard lengths	708, 833, 958, 1,083, 1,208 mm	708, 833, 958, 1,083, 1,208 mm
Maximum length	2,000 mm	2,000 mm
Can be shortened by	125 mm from 708 mm	125 mm from 708 mm
Article number	1-551	1-557
Accessories (included in delivery)	Art. no. 5103 incl. galvanised steel press plate	Art. no. 5114 including zinc die-cast press plate



Schall-Ex® SLIDE radiation protection M-20 OS

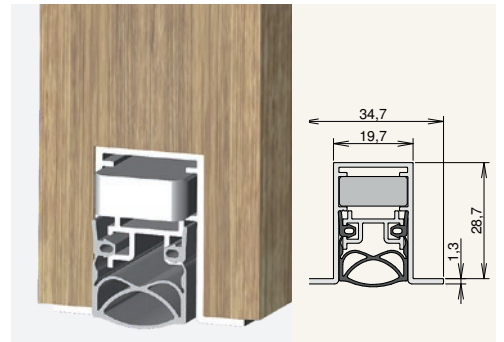
- ↪ Automatic height and level compensation
- ↪ Self-adjusting
- ↪ Integrated overload protection



↪ In accordance with DIN 6834

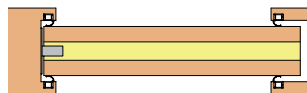
Schall-Ex® Slide M-20 OS

- ↪ Automatic height and level compensation
- ↪ Self-adjusting
- ↪ Integrated overload protection
- ↪ Sound absorption value > 50 dB with 7mm sealing height



↪ Tested in accordance with EN 1670

Fixing



Technical data

Groove width	20 mm	20 mm
Actuation	Single actuation	Single actuation
Sealing profile material	Silicone, lead rubber	Silicone, self-extinguishing
Travel	12 mm	12 mm
Minimum length	220 mm (cannot be shortened)	220 mm (cannot be shortened)
Standard lengths	708, 833, 958, 1,083, 1,208 mm	708, 833, 958, 1,083, 1,208 mm
Maximum length	2,000 mm	2,000 mm
Can be shortened by	125 mm from 708 mm	125 mm from 708 mm
Article number	1-554	1-553
Accessories (included in delivery)	Art. no. 5111 including zinc die-cast press plate	Art. no. 5111 including zinc die-cast press plate



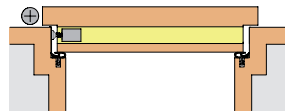
Schall-Ex® Jumbo I

For doors with extremely wide sealing-gaps

- ▶ Acoustic protection sealing of gaps up to 35 mm
- ▶ Actuation on opening face adjusting screw
- ▶ Also suitable for fire and smoke protection doors
- ▶ No DIN R / L specification necessary

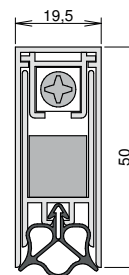


Fixing



Technical data

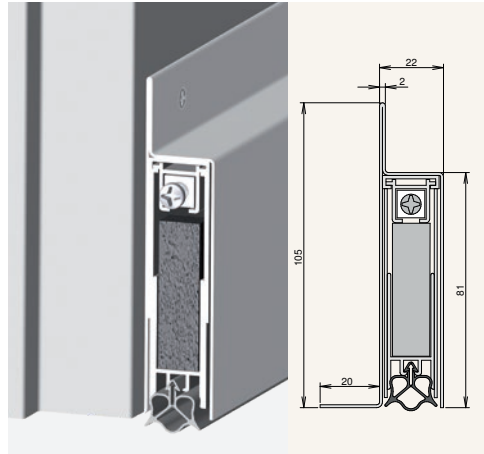
Groove width	20 mm
Actuation	Single actuation
Sealing profile material	Silicone, self-extinguishing
Travel	35 mm
Minimum length	450 mm (cannot be shortened)
Standard lengths	708, 833, 958, 1,083, 1,208 mm
Maximum length	1,700 mm
Can be shortened by	60 mm, for standard lengths
Article number	1-154
Accessories (included in delivery)	Art. no. 5400 including stainless steel press plate





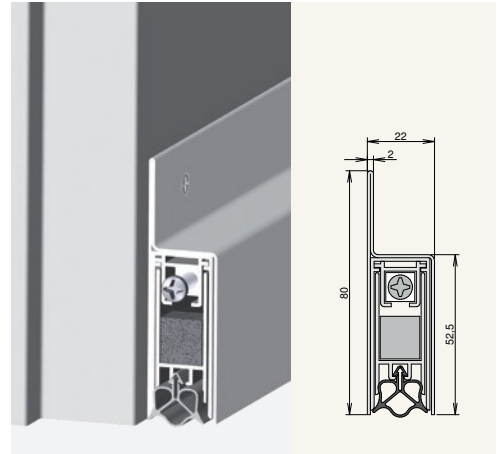
Schall-Ex® JUMBO II

- Seals doors and gates with extremely wide gaps up to 50 mm
- Suitable for acoustic doors



Schall-Ex® JUMBO III

- Seals doors and gates with extremely wide gaps up to 35 mm
- Suitable for acoustic doors

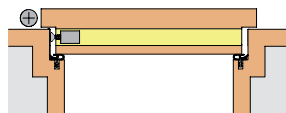


Plinth

- Robust stainless steel cover

- Robust stainless steel cover

Fixing Jumbo II and III



Technical data

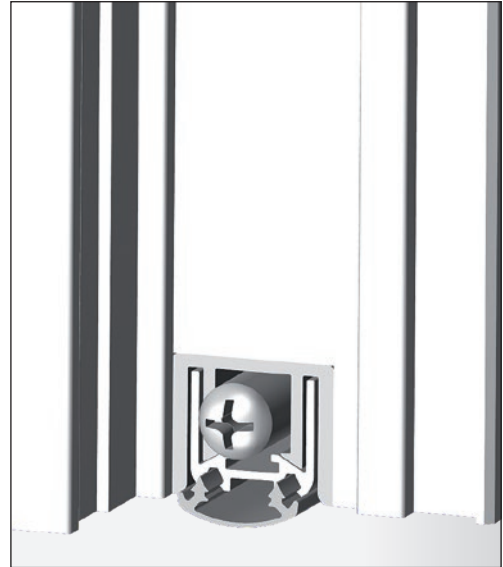
Overall dimensions W x H	22 x 81 mm	2,2 x 52.5 mm
Actuation	Single actuation	Single actuation
Sealing profile material	Silicone, self-extinguishing	Silicone, self-extinguishing
Travel	50 mm	35 mm
Minimum length	710 mm (cannot be shortened)	450 mm (cannot be shortened)
Maximum length	1,700 mm	1,700 mm
Can be shortened by	60 mm	60 mm
Individually packed	Foil tube	Foil tube
Article number	1-474	1-157
Accessories (included in delivery)	Art. no. 5935 incl. pressplate of steel, GV	Art. no. 5935 incl. pressplate of steel, GV



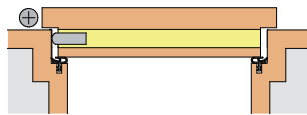
Unidicht M-20

with synthetic casing

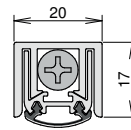
- Low overall height matches profile systems
- Thermal separation through synthetic outer casing
- Can be screwed on through the seal
- Seal without threshold up to 10 mm



Fixing



Groove width	20 mm
Actuation	Single actuation
Sealing profile material	Silicone
Travel	11 mm
Minimum length	330 mm (cannot be shortened)
Standard lengths	708, 833, 958, 1,083, 1,208 mm
Maximum length	1,333 mm
Can be shortened by	125 mm from 708 mm
Article number	1-391
Accessories (included in delivery)	5109



Product family

Stadi L

- Sound reduction of up to 50 dB
- Easy screw-on angled installation
- Seal travel: up to 16 mm
- Suitable for DIN L/R
- Optional set-up for Ø 10 mm standard flush bolt
- Optional set-up for flush bolt



Smoke and fire doors



- Sealing profile made of self-extinguishing silicone for acoustic, smoke and fire protection (optionally silicone-free)
- Wide sealing profile for flexible floor level adjustment
- Automatic door seals carry the "Ü" sign of compliance

Acoustic doors



Certificate: "DIN approved - Barrier-free"



Front doors

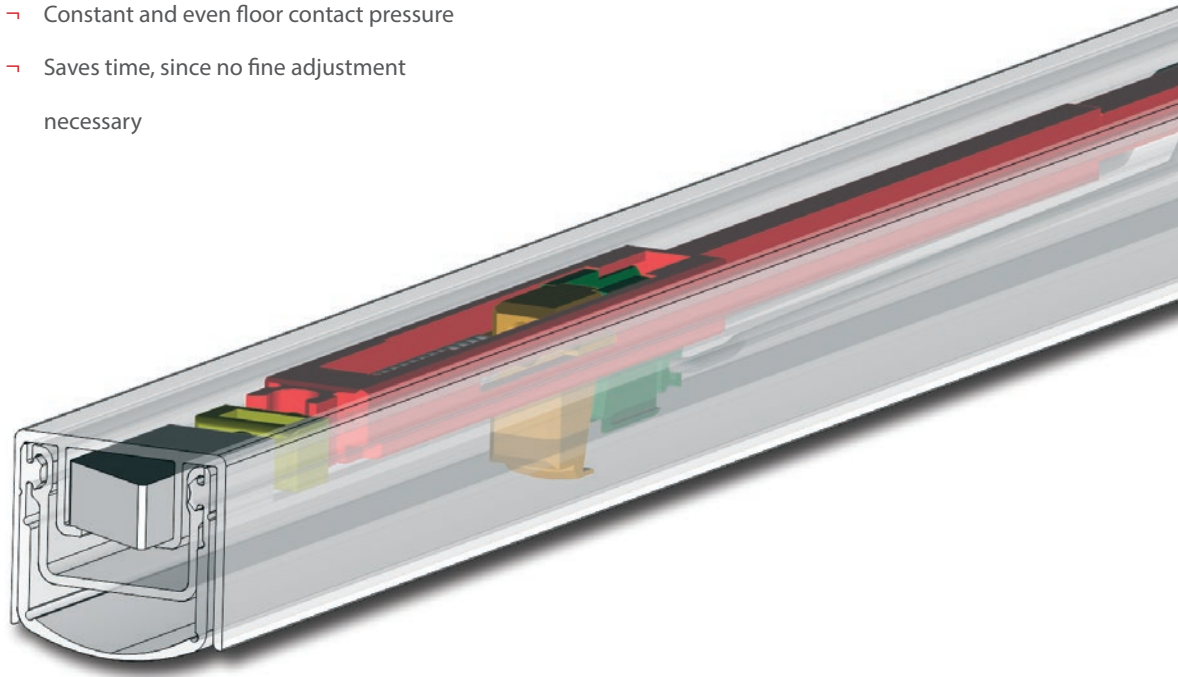


- Stainless steel springs and rustproof inner mechanical parts
- Silicone sealing profile prevents freezing in position and ensures flexible seal with the floor, even in icy conditions
- Without a threshold for barrier-free construction



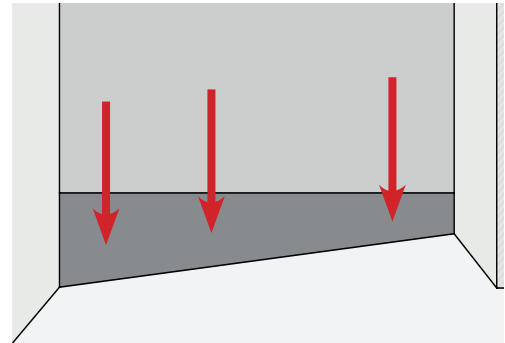
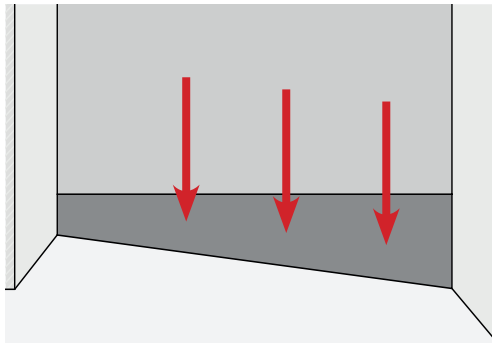
Automatic height adjustment

- With integrated overload protection as standard
- Constant and even floor contact pressure
- Saves time, since no fine adjustment necessary



Automatic level compensation

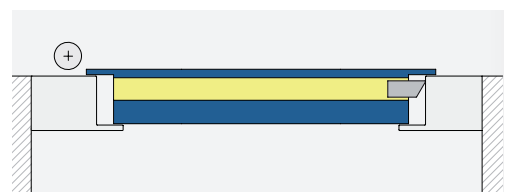
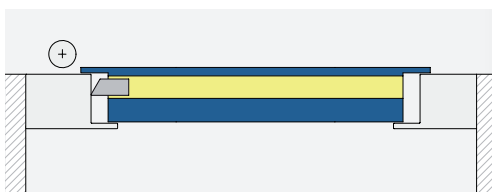
- Improved operational reliability since the system self-adjusts if conditions change



Actuation

Hinge-side or lock-side actuation, as required

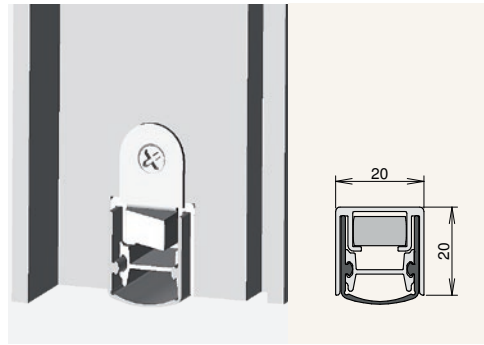
- Actuator catch on hinge side
- Actuator catch on lock side





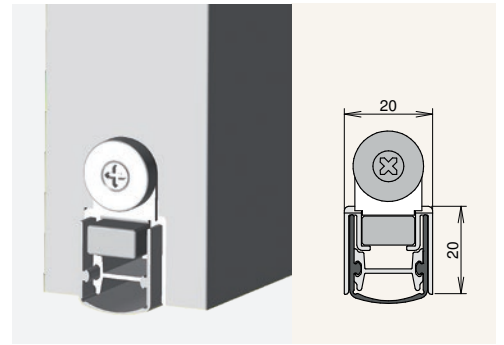
Stadi L-20/20 WS

- Automatic height and level compensation
- Optional set-up for \varnothing 10 mm standard flush bolt
- Optional set-up for flush bolt

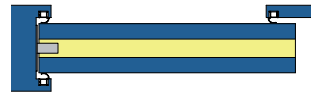
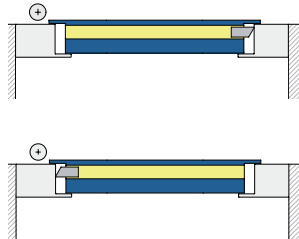


Stadi Slide & Lock L-20/20 WS

- Automatic height and level compensation
- Only one groove depth, so no gradation milling required
- Integrated magnet lock (holding power 70 N)



Actuation



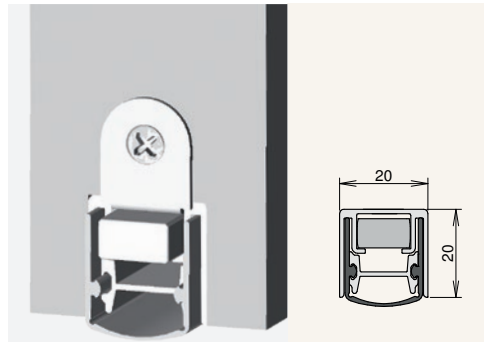
Technical data

	Width	Height
	20 mm	20 mm
Actuation	Single actuation	
Sealing profile material	Silicone, self-extinguishing	
Travel	13 mm	
Minimum length	260 mm (cannot be shortened)	
Standard lengths	750, 900, 1,050, 1,200 mm	
Maximum length	2,000 mm	
Can be shortened by	150 mm	
Article number	1-785	1-797
Accessories (included in delivery)	Art. no. 5516 including stainless steel press plate	Art. no. 5141 incl. galvanised steel press plate



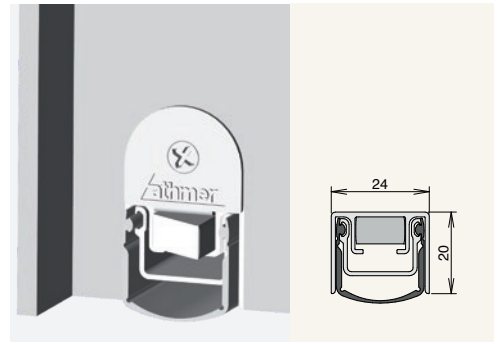
Stadi Slide L-20/20 WS

- Automatic height and level compensation
- Only one groove depth, so no gradation milling required
- Easy screw-on angled installation

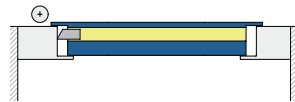
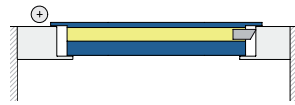
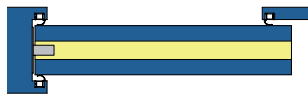


Stadi L-24/20 WS

- Automatic height and level compensation
- Sound reduction up to 50 dB
- Optional set-up for Ø 10 mm standard flush bolt
- Optional set-up for flush bolt
- Optional silicone-free, self-extinguishing hard/soft profile



Actuation



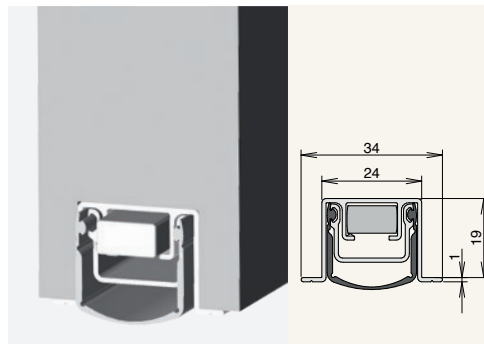
Technical data

Width	Height	20 mm	20 mm	24 mm	20 mm
Actuation		Single actuation		Single actuation	
Sealing profile material		Silicone, self-extinguishing		Silicone, self-extinguishing	
Travel		13 mm		16 mm	
Minimum length		260 mm (cannot be shortened)		260 mm (cannot be shortened)	
Standard lengths		708, 833, 958, 1,083, 1,208 mm		750, 900, 1,050, 1,200 mm	
Maximum length		2,000 mm		2,000 mm	
Can be shortened by		150 mm		150 mm	
Article number		1-796		1-603	
Accessories (included in delivery)		Art. no. 5142 including zinc die-cast press plate		Art. no. 5200 including zinc die-cast press plate	



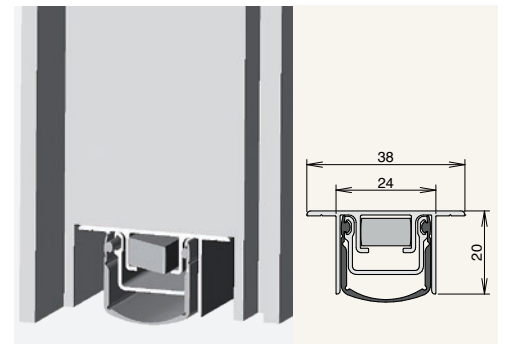
Stadi L-24/20 OS

- Automatic height and level compensation
- Sound reduction up to 50 dB
- Optional set-up for Ø 10 mm standard flush bolt
- Optional set-up for flush bolt
- Optional silicone-free, self-extinguishing hard/soft profile

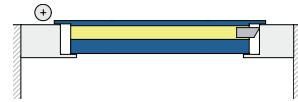
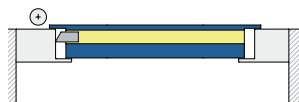


Stadi L-24/20 TS

- Automatic height and level compensation
- Sound reduction up to 50 dB
- Optional set-up for Ø 10 mm standard flush bolt
- Optional set-up for flush bolt
- Optional silicone-free, self-extinguishing hard/soft profile



Actuation



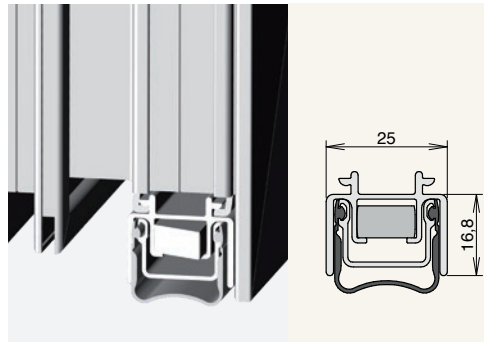
Technical data

Width	Height	24 mm	20 mm	38 mm	20 mm
Actuation		Single actuation		Single actuation	
Sealing profile material		Silicone, self-extinguishing		Silicone, self-extinguishing	
Travel		16 mm		16 mm	
Minimum length		250 mm (cannot be shortened)		250 mm (cannot be shortened)	
Standard lengths		750, 900, 1,050, 1,200 mm		750, 900, 1,050, 1,200 mm	
Maximum length		3,000 mm		3,000 mm	
Can be shortened by		150 mm		150 mm	
Article number		1-605		1-607	
Accessories (included in delivery)		Art. no. 5503 including stainless steel press plate		Art. no. 5503 including stainless steel press plate	



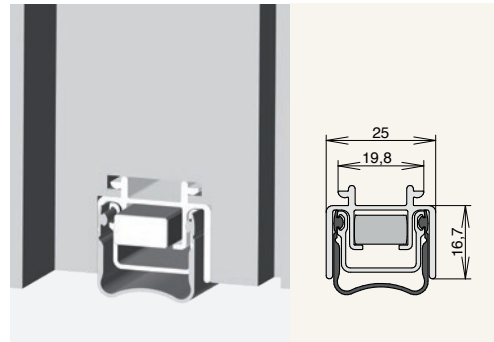
Stadi L-24/20 ES

- Automatic height and level compensation
- Bracketless fixing with slide-on installation

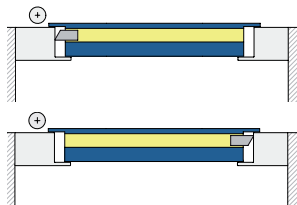


Stadi Slide L-24/20 ES

- Automatic height and level compensation
- Bracketless fixing with slide-on installation



Actuation



Technical data

Width	Height	25 mm	16.7 mm
Actuation		Single actuation	
Sealing profile material		Silicone, self-extinguishing	
Travel		13 mm	
Minimum length		250 mm (cannot be shortened)	
Standard lengths		750, 900, 1,050, 1,200 mm	
Maximum length		3,000 mm	
Can be shortened by		150 mm	
Article number		1-896	

Width	Height	25 mm	16.7 mm
Actuation		Single actuation	
Sealing profile material		Silicone, self-extinguishing	
Travel		13 mm	
Minimum length		250 mm (cannot be shortened)	
Standard lengths		708, 833, 958, 1,083, 1,208 mm	
Maximum length		3,000 mm	
Can be shortened by		150 mm	
Article number		1-897	

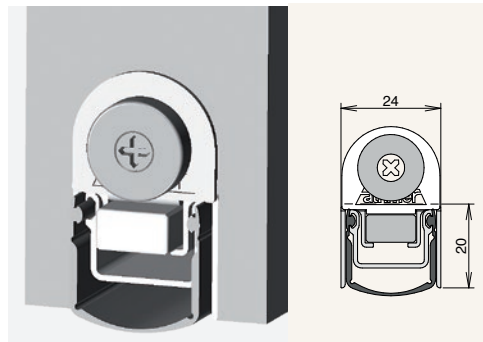
Accessories (included in delivery) Art. no. 5485 including stainless steel press plates

Accessories (included in delivery) Art. no. 5485 including stainless steel press plates



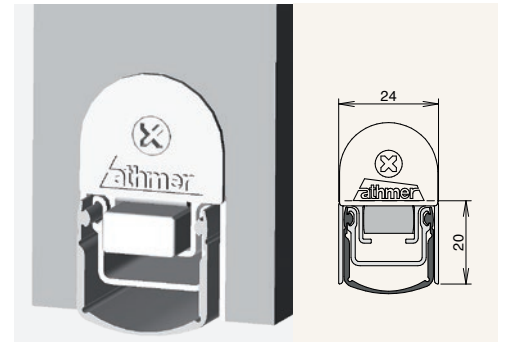
Schall-Ex® Slide & Lock L-24/20 WS

- Automatic height and level compensation
- Only one groove depth, so no gradation milling required
- Integrated magnet lock (holding power 70 N)

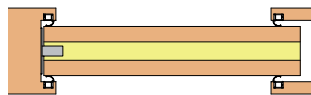


Schall-Ex® Slide L-24/20 WS

- Automatic height and level compensation
- Only one groove depth, so no gradation milling required
- Easy screw-on angled installation



Actuation



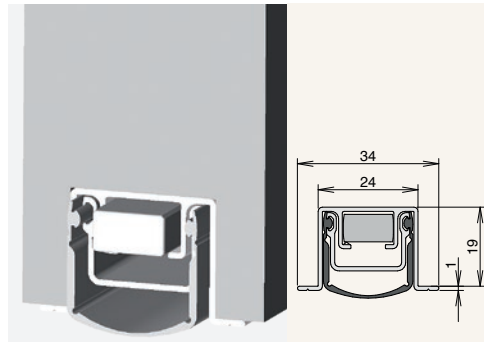
Technical data

Width	Height	24 mm	20 mm	24 mm	20 mm
Actuation		Single actuation		Single actuation	
Sealing profile material		Silicone, self-extinguishing		Silicone, self-extinguishing	
Travel		16 mm		16 mm	
Minimum length		260 mm (cannot be shortened)		260 mm (cannot be shortened)	
Standard lengths		708, 833, 958, 1,083, 1,208 mm		708, 833, 958, 1,083, 1,208 mm	
Maximum length		2,000 mm		2,000 mm	
Can be shortened by		150 mm		150 mm	
Article number		1-622		1-620	
Accessories (included in delivery)		Art. no. 5120 incl. galvanised steel press plate		Art. no. 5121 including zinc die-cast press plate	



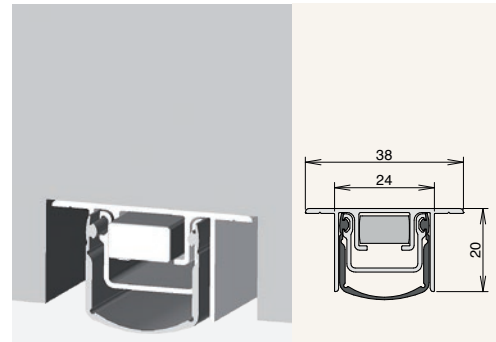
Schall-Ex® Slide L-24/20 OS

- Automatic height and level compensation
- Only one groove depth, so no gradation milling required

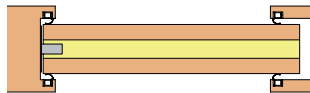


Schall-Ex® Slide L-24/20 TS

- Automatic height and level compensation
- Only one groove depth, so no gradation milling required



Actuation



Technical data

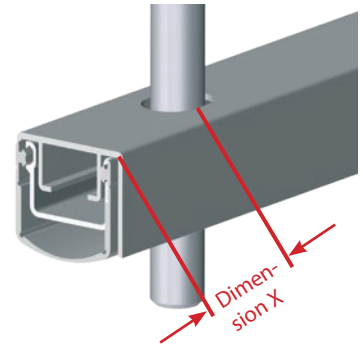
Width	Height	24 mm	20 mm	38 mm	20 mm
Actuation		Single actuation		Single actuation	
Sealing profile material		Silicone, self-extinguishing		Silicone, self-extinguishing	
Travel		16 mm		16 mm	
Minimum length		250 mm (cannot be shortened)		250 mm (cannot be shortened)	
Standard lengths		708, 833, 958, 1,083, 1,208 mm		708, 833, 958, 1,083, 1,208 mm	
Maximum length		3,000 mm		3,000 mm	
Can be shortened by		150 mm		150 mm	
Article number		1-616		1-618	
Accessories (included in delivery)		Art. no. 5111 including zinc die-cast press plate		Art. no. 5111 including zinc die-cast press plate	

For a good seal without gaps even with double-wing doors

For Ø 10 mm flush bolt

Flush bolt set-up

- Seal on actuation side can be shortened!
(Standard lengths from 900 mm by 125 mm)
- Available for all backsets. State dimension X on the order
- Standard floor recess can be used



Compatible with Stadi L

Stainless steel flush bolt

- Seals and flush bolt compatible with each other
- Bolt with continuously adjustable height with built-in seal
- Different versions for top and bottom
- Optional: Door seal prepared for flush bolt
- Seal can be cut to length! Can be kept in stock



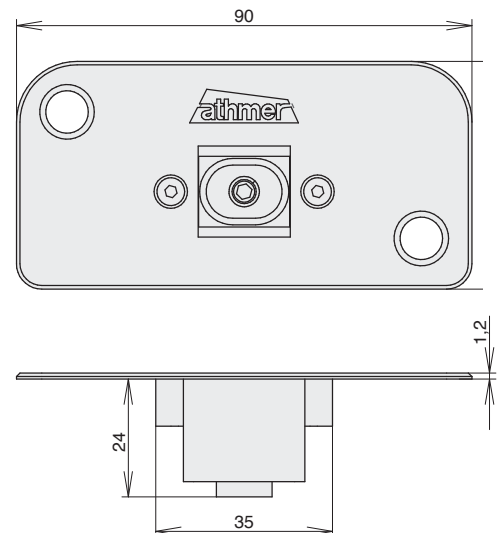
Note: Minimum length if flush bolt hole incorporated = distance from drilled hole (X) + 270 mm

Stainless steel floor strike recess

For Ø 10 mm flush bolt

BS-10

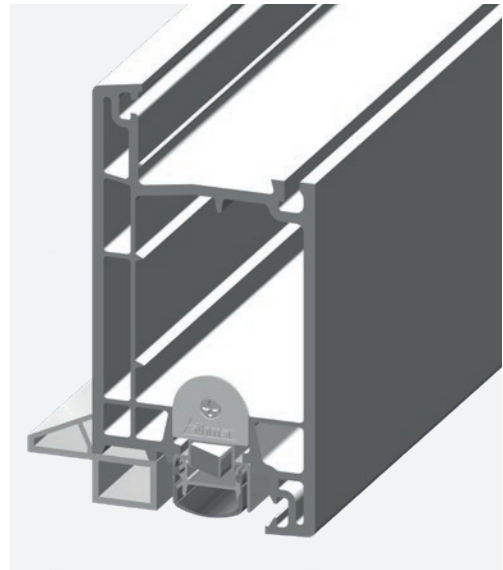
- Continuously adjustable range ± 2 mm in opening and closing direction
- Retainer with elongated slot for easy positioning and tolerance compensation
- Optimal for automatic locks:
Long mounting surface and wide chamfer
- Stainless steel floor plate and retainer
- Zinc die-cast housing



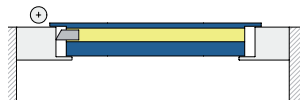


Stadi L-24/15 BN

- Groove for fittings
- Automatic height and level compensation
- Parallel actuation from 580 mm

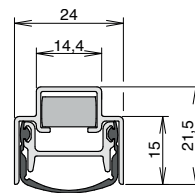


Actuation



Technical data

Width	Height	24 mm	15 mm
Actuation		Single actuation	
Sealing profile material		Silicone, self-extinguishing	
Travel		11 mm	
Minimum length		260 mm (cannot be shortened)	
Standard lengths		400, 580, 650, 750, 900, 1.050, 1,200, 1,350 and 1,500 mm	
Maximum length		2,000 mm	
Can be shortened by		150 mm	
Article number		1-904	

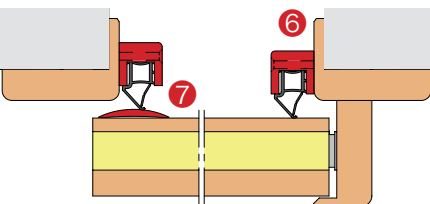
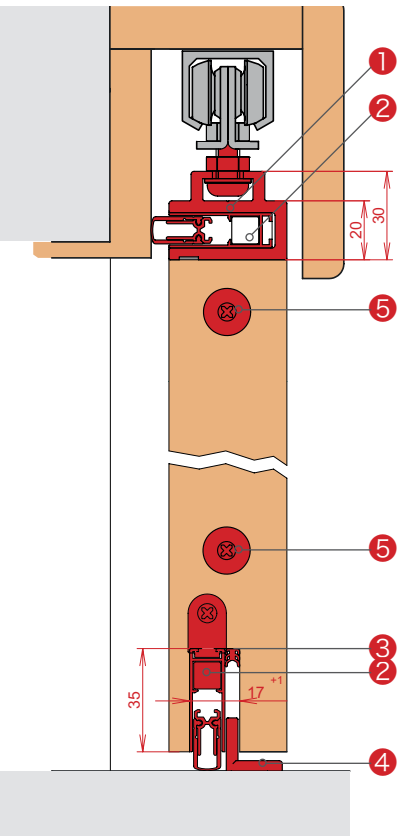


Accessories (included in delivery) Art. no. 5200 including stainless steel press plate



Allround seal Complete sealing system for sliding doors

- Sliding door runs in front of the wall
- Increased tightness against:
 - Sound
 - Draughts
 - Smoke
 - Smells
- For sliding wings up to a width of 1,958 mm and a weight of up to 80 kg
- Intended for butt hinges with M8 connectors



VHH M-12 Set

In standard lengths 708, 833, 958, 1,083, 1,208 mm (fixed lengths possible)

Packing contents/delivery package		Article number: 1-839	Each
1	Slide-Adapter-12		1
2	Schall-Ex Slide M-12 SLA		2
3	Slide 5spacer		1
4	Athmer - slidingdoor guide		1
5	Magnet		2

Optional items	Lengths (mm)		Each
6 Unitherm Slide 22/22 (Untreated beechwood)	2,000 mm Art. no. 319 050	2,500 mm Art. no. 319051	2
7 Aluminium threshold 253	max. 3,000 mm (fixed lengths possible)		1

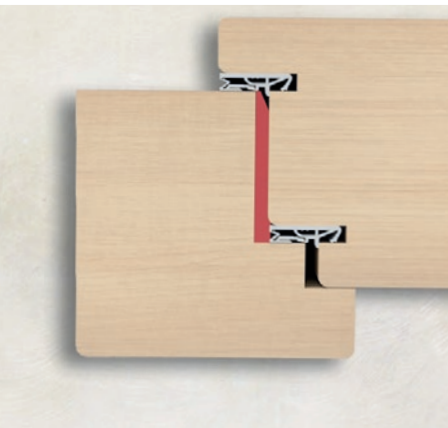
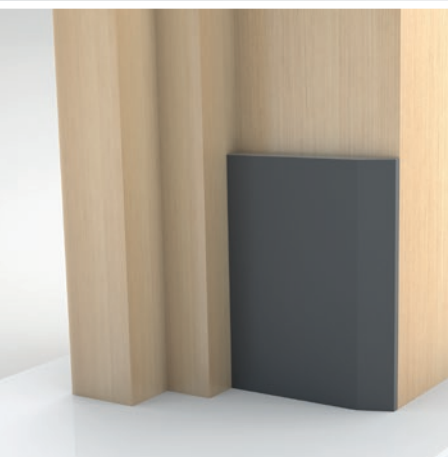
Art. no. 3-114

Technical Data

Groove width	12 mm
Actuation	Single actuation
Sealing profile material	Silicone, self-extinguishing
Travel	11 mm
Minimum length	280 mm (cannot be shortened)
Maximum length	1,958 mm
Can be shortened by	125 from 708 mm

Schall-Ex Slide M-12 SLA, art. no. 1-809





Athmer Rainstop®

Barrier-free external door seals

For Athmer, the optimum operating comfort of doors has traditionally been at the top of the agenda in product development. Today, we are experiencing that the requirements for barrier-free planning, construction and living are becoming increasingly important.

However, despite the zero threshold and barrier-free access, especially on outside doors, neither wind, driving rain or noise are allowed to penetrate the interior.

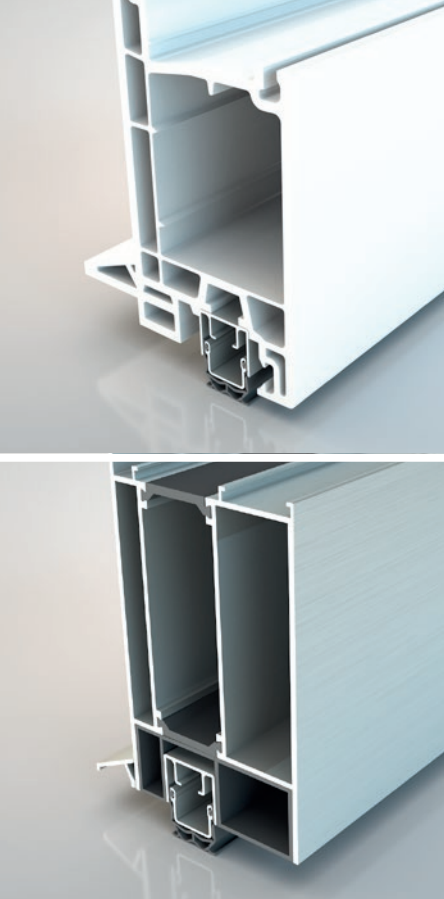
With the new ATHMER RAINSTOP® external door seal, Athmer is bringing a door seal onto the market that has been proven to meet all of the above-mentioned requirements.

For wooden doors, the sealing system is available as a set with a suitable corner solution.

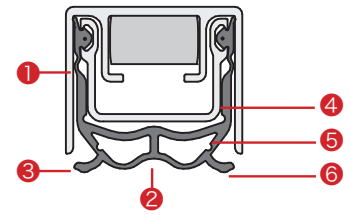
The corner connection consists of a special water-repellent EPDM foam and can be cut to various rebate depths and geometries without any problems and in the shortest possible time. The self-adhesive foam parts can be stuck into the door frames without any unnecessary drying times.

A frame gap of three to six millimetres is thus effectively covered without any further adjustment of the seal and the door is protected against driving rain on all sides.

ATHMER RAINSTOP is threshold-free and therefore scores points not only visually, but also offers maximum accessibility.



- ① Bellows in the sealing profile for additional insulation between the outer and sealing profile
- ② W-shaped design transfers the vertical forces into a lateral sealing movement
- ③ The outer lip has a pressure-supporting effect - more external pressure, the better the seal
- ④ Sealing profile made of wear-resistant material ensures a long life and a permanent seal
- ⑤ Voluminous sealing profile contour stabilises the lateral overlap of the sealing profile
- ⑥ Contact surfaces optimise the sanding behaviour



Zero means zero

ATHMER RAINSTOP® stands for certified quality: the renowned ift Rosenheim certifies the new sealing system's resistance to driving rain, resistance to wind load and excellent sound reduction values up to 51dB. Furthermore, Athmer Rainstop has successfully passed salt spray testing by the MPA NRW. ATHMER RAINSTOP is based on the technology of the well-known and proven STADI-L series for system doors and therefore bears the U-sign. The sealing system is certified as barrier-free according to DIN 18040.

System door manufacturers can adapt ATHMER RAINSTOP individually, according to the geometry of their aluminium, PVC or steel door in corner areas - each profile door manufacturer requires their own solution, depending on the position of the seal and the hinge geometry.

We bring competence and experience to the table in cooperation and, together with the manufacturers, develop solutions that provide the highest tightness against wind, driving rain and noise - with minimal cost and effort.

In individual cases, additional measures such as rain guards, sanding brushes and drainage options in the threshold area can be taken into account and checked.



R. NO. P1B050/07





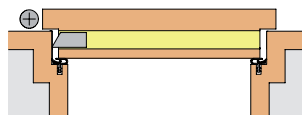
Athmer Rainstop M-24/20 WS

Quick and reliable installation

- Sound reduction up to 51 dB
- Suitable for DIN L/R
- For doors opening outwards and inwards
- Automatic height adjustment
- Set-up for Ø10mm flush bolt optional
- Optional set-up for flush bolt
- No tools needed for adjustment

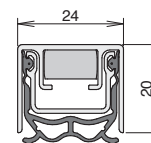


Actuation



Technical data

Width	Height	24 x 20 mm
Actuation		Single actuation
Sealing profile material		Silicone, self-extinguishing
Travel		13 mm
Minimum length		300 mm (cannot be shortened)
Standard lengths		900, 975, 1,050, 1,125, 1,200, 1,275, 1,350, 1,425 and 1,500 mm
Maximum length		1,500 mm
Can be shortened by		75 mm on both sides
Article number		1-932
Accessories (included in delivery)		Art. no. 5138 including stainless steel press plate



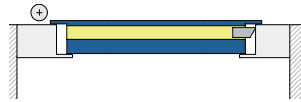


Stadi L-30/20 WS

- Automatic height and level compensation
- Sound reduction up to 50 dB
- Optional set-up for Ø 10 mm standard flush bolt
- Optional set-up for flush bolt

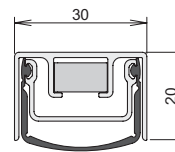


Actuation



Technical data

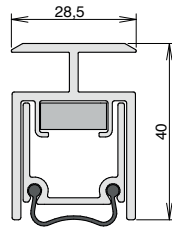
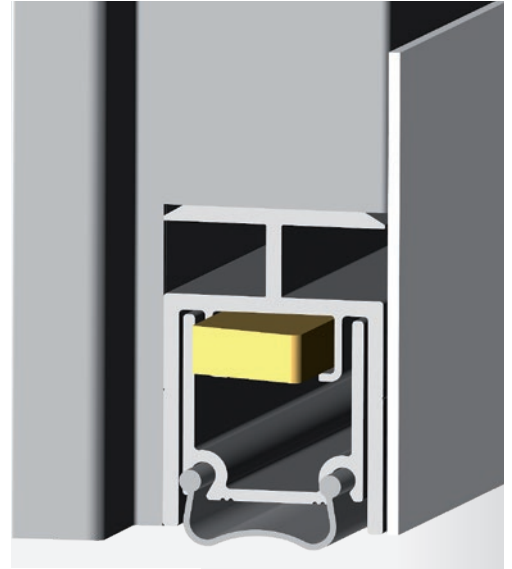
Width	Height	30 mm	20 mm
Actuation		Single actuation	
Sealing profile material		Silicone, self-extinguishing	
Travel		16 mm	
Minimum length		260 mm (cannot be shortened)	
Standard lengths		750, 900, 1,050, 1,200 mm	
Maximum length		2,000 mm	
Can be shortened by		150 mm	
Article number		1-657	
Accessories (included in delivery)		Art. no. 5138 including stainless steel press plate	



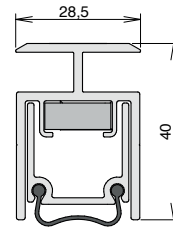


Stadi-XL 40 DT

- ▬ Seal travel: up to 20 mm
- ▬ Sealing profile made of self-extinguishing silicone
- ▬ Optional: Stainless steel cover plates in two different versions (see p. 59)
- ▬ Also for fire and smoke doors

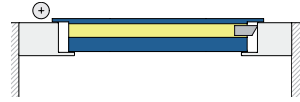


Type Stadi XL-40 DT



Type Stadi XL-40 ST

Fixing DT



Technical data

Groove width

28.5 mm

Actuation

Single actuation

Sealing profile material

Silicone

Travel

20 mm

Minimum length

285 mm (n. s.)

Standard lengths

750, 900, 1,050, 1,200 mm

Maximum length

2,000 mm

Can be shortened by

125 from 708 mm

Article number

1-478

Accessories
(included in delivery)

Art. no. 5962

Type Stadi XL-40 ST

28.5 mm

Single actuation

Silicone

20 mm

285 mm (n. s.)

750, 900, 1,050, 1,200 mm

up to 2,100 (one-part) 8.000 mm (multi-part)

125 mm end element

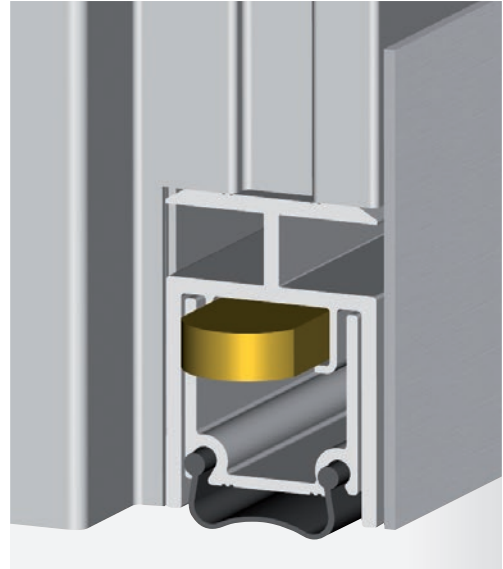
1-477

Art. no. 5960 / 5962

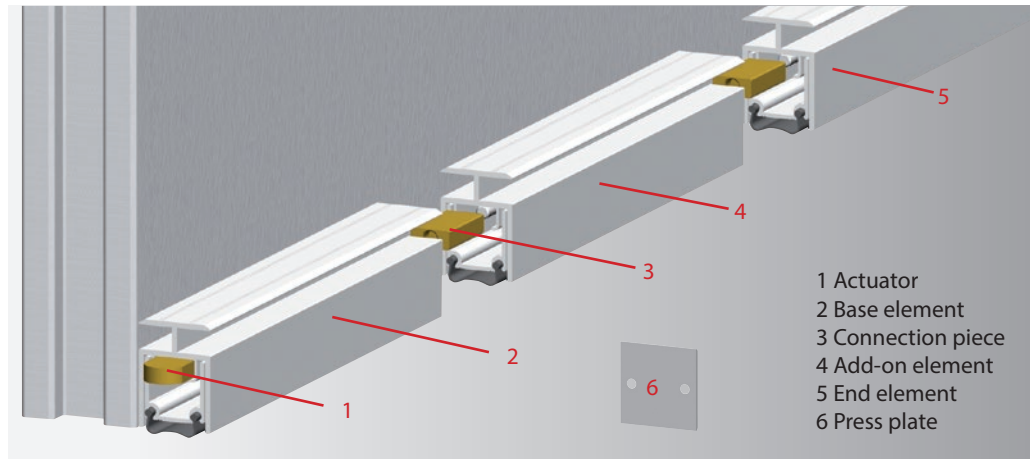


Stadi XL40 ST

- Multi-part sealing system
- Especially robust version
- 8 m door or gate width
- Seal travel: up to 20 mm
- Sealing profile made of self-extinguishing silicone
- Optional: Stainless steel cover plates in two different versions
- Also for fire and smoke doors



Example of installation Stadi-XL ST



Fixing ST



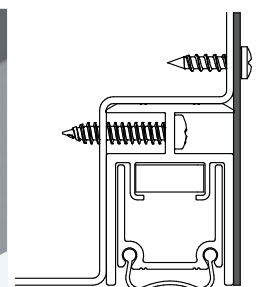
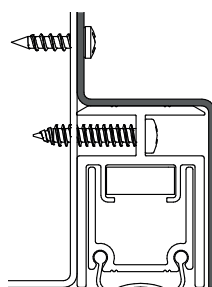
Technical data

- See table on page 58

Options

(Screw-on) stainless steel cover plate A

^



Product family

Schall-Ex® GS

- For all-glass doors
- Suitable for DIN-L and DIN-R doors
- For acoustic, smoke and fire protection
- Models available for retrofitting
- Available in fixed and standard lengths
- Anodised surfaces optional to Eurast or colour coated as per RAL



Smoke and fire doors



Acoustic doors



Barrier-free



“Ü” sign of compliance



Optional: Stopper plinth

- Sealing profile made of self-extinguishing silicone
- Superior seal in combination with Athmer thresholds
- Meets requirements for barrier-free construction
- We deliver all automatic door seals for glass doors with the “Ü” sign of compliance

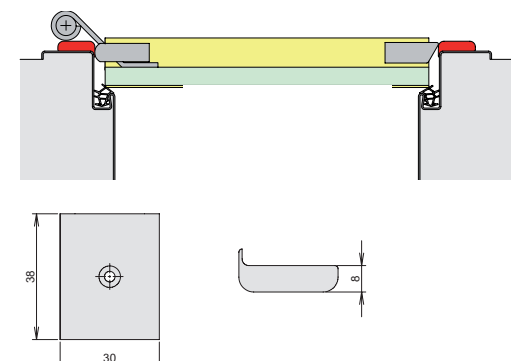
- To optimise actuation in special frames.
Art. no. 5110 anodised silver-coloured
Art. no. 5118 anodised stainless steel-coloured
(consisting of one pair with attachment screws)



Sound insulation test report for Schall-Ex GS-8 available on request



Certificate: "DIN approved - Barrier-free"





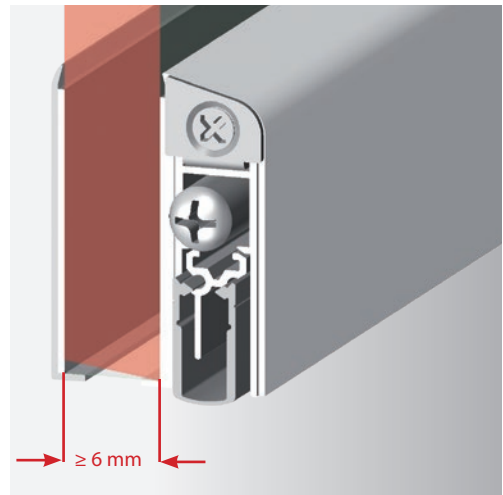
Schall-Ex® GS-A

- For all doors from 6 mm glass thickness
- Seal and cover profile self-adhesive
- Reduced storage costs
- Suitable for retrofitting



Surface finish

- Silver-coloured, anodised C-0
- Stainless steel-coloured, anodised C-31

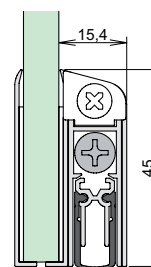


Fixing



Technical data

Glass thickness	≥ 6 mm	
Overall dimensions H x W	15.4 x 45 mm	
Actuation	1-sided, opening face	
Sealing profile material	Silicone, self-extinguishing	
Travel	11 mm	
Minimum length	235 mm (cannot be shortened)	
Standard lengths	708, 833, 958, 1,083, 1,208 mm	
Maximum length	1,333 mm	
Can be shortened by	125 mm	
Individually packed	Foil tube	
Article number	1-814 C-0	1-815 C-31

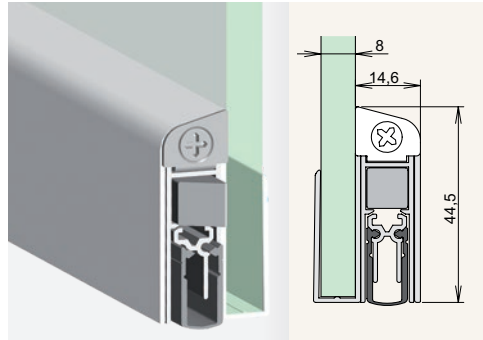


Accessories (included in delivery) Art. no. 5115 including stainless steel press plate



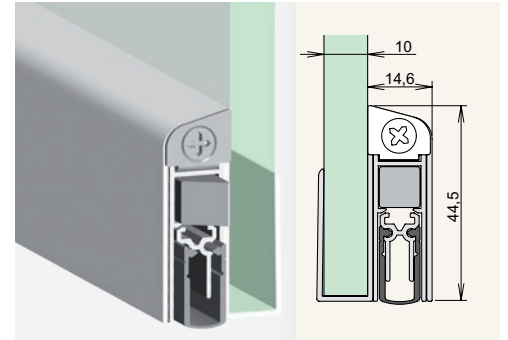
Schall-Ex® Duo GS-8

- For doors with 8 mm glass thickness
- Double actuation
- Minimal, barely perceptible actuation pressure
- Suitable for DIN-L and DIN-R doors
- U-profile to be affixed with appropriate-construction adhesive



Schall-Ex® Duo GS-10

- For doors with 10 mm glass thickness
- Double actuation
- Minimal, barely perceptible actuation pressure
- Suitable for DIN-L and DIN-R doors
- U-profile to be affixed with appropriate-construction adhesive



Surface finish

- Silver-coloured, anodised C-0
- Stainless steel-coloured, anodised C-31

Fixing



Technical data

	8 mm	10 mm
Glass thickness	8 mm	10 mm
Overall dimensions H x W	14,6 x 44,5 mm	14,6 x 44,5 mm
Actuation	Double actuation	Double actuation
Sealing profile material	Silicone, self-extinguishing	Silicone, self-extinguishing
Travel	11 mm	11 mm
Minimum length	650 mm (cannot be shortened)	650 mm (cannot be shortened)
Standard lengths	708, 833, 958, 1.083, 1.208 mm	708, 833, 958, 1.083, 1.208 mm
Maximum length	1.333 mm	1,333 mm
Can be shortened by	125 mm	125 mm
Individually packed	Foil tube	Foil tube
Article number	1-408 C-0 1-670 C-31	1-593 C-0 1-672 C-31

Accessories
(included in delivery)

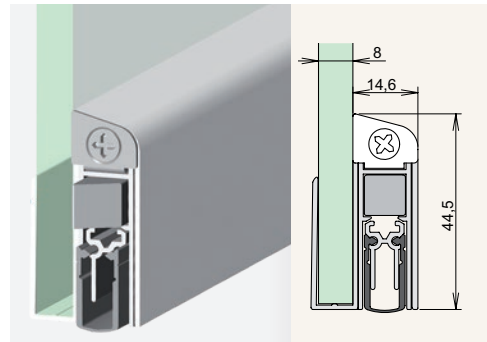
Art. no. 5420
including stainless steel press plate

Art. no. 5420
including stainless steel press plate



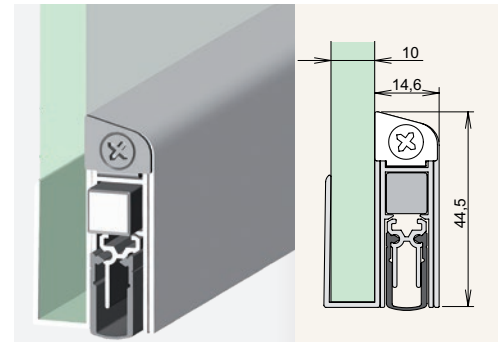
Schall-Ex® GS-8

- For doors with 8 mm glass thickness
- Single actuation
- Suitable for DIN-L and DIN-R doors
- U-profile to be affixed with appropriate-construction adhesive



Schall-Ex® GS-10

- For doors with 10 mm glass thickness
- Single actuation
- Suitable for DIN-L and DIN-R doors
- U-profile affixed with appropriate-construction adhesive



Surface finish

- Silver-coloured, anodised C-0
- Stainless steel-coloured, anodised C-31

Fixing



Technical data

	8 mm	10 mm
Glass thickness	8 mm	10 mm
Overall dimensions H x W	14.6 x 44.5 mm	14.6 x 44.5 mm
Actuation	Single actuation	Single actuation
Sealing profile material	Silicone, self-extinguishing	Silicone, self-extinguishing
Travel	11 mm	11 mm
Minimum length	235 mm (cannot be shortened)	235 mm (cannot be shortened)
Standard lengths	708, 833, 958, 1,083, 1,208 mm	708, 833, 958, 1,083, 1,208 mm
Maximum length	1,333 mm	1,333 mm
Can be shortened by	125 mm	125 mm
Individually packed	Foil tube	Foil tube
Article number	1-407 C-0	1-671 C-31

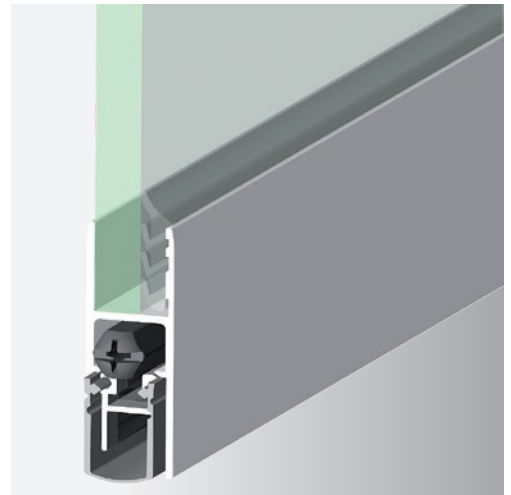
Accessories (included in delivery) Art. no. 5503 including stainless steel press plate

Accessories (included in delivery) Art. no. 5503 including stainless steel press plate



Schall-Ex® GS-H8/12

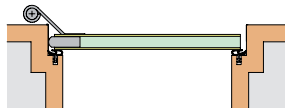
- Universal glass door seals for
Doors with glass thicknesses
from 8 - 12 mm
- Single actuation
- Lock-side cover
made of stainless steel
- Reduced storage costs



Surface finish

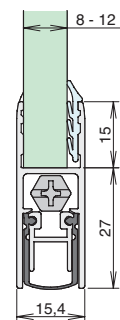
- Silver-coloured, anodised C-0
- Stainless steel-coloured, anodised C-31

Fixing



Technical data

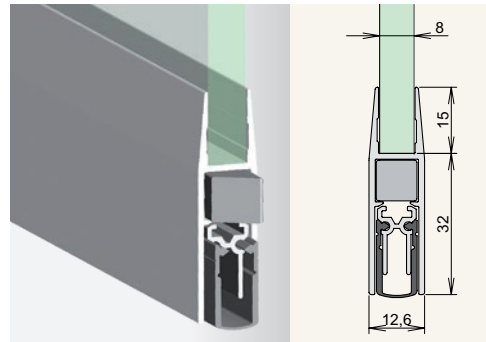
Glass thickness	8-12 mm	
Dimensions	15 + 27 x 15.4 mm	
Actuation	1-sided, opening face	
Sealing profile material	Silicone, self-extinguishing	
Travel	12 mm	
Minimum length	235 mm (cannot be shortened)	
Standard lengths	708833, 958, 1,083, 1,208 mm	
Maximum length	1,333 mm	
Can be shortened by	125 mm	
Individually packed	Foil tube	
Article number	1-817 C-0	1-818 C-31
Accessories (included in delivery)	Art. no. 5550 3 glazing profiles Press plate made of stainless steel Cover angle	





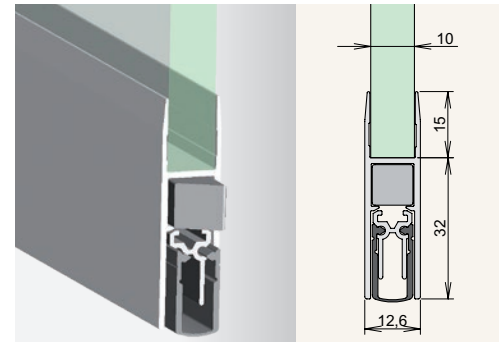
Schall-Ex® Duo GS-H8

- For doors with 8 mm glass thickness
- Double actuation
- Minimal, barely perceptible actuation pressure
- Suitable for DIN-L and DIN-R doors



Schall-Ex® Duo GS-H10

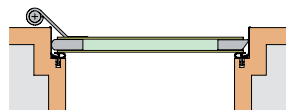
- For doors with 10 mm glass thickness
- Double actuation
- Minimal, barely perceptible actuation pressure
- Suitable for DIN-L and DIN-R doors



Surface finish

- Silver-coloured, anodised C-0
- Stainless steel-coloured, anodised C-31

Fixing



Technical data

	8 mm	10 mm
Glass thickness	8 mm	10 mm
Dimensions	15 x 32 x 12.6 mm	15 x 32 x 12.6 mm
Actuation	Double actuation	Double actuation
Sealing profile material	Silicone, self-extinguishing	Silicone, self-extinguishing
Travel	11 mm	11 mm
Minimum length	650 mm (cannot be shortened)	650 mm (cannot be shortened)
Standard lengths	708, 833, 958, 1,083, 1,208 mm	708, 833, 958, 1,083, 1,208 mm
Maximum length	1,333 mm	1,333 mm
Can be shortened by	125 mm	125 mm
Individually packed	Foil tube	Foil tube
Article number	1-416 C-0 1-674 C-31	1-454 C-0 1-676 C-31

Accessories (included in delivery) Art. no. 5420 including stainless steel press plate

Art. no. 5420 including stainless steel press plate

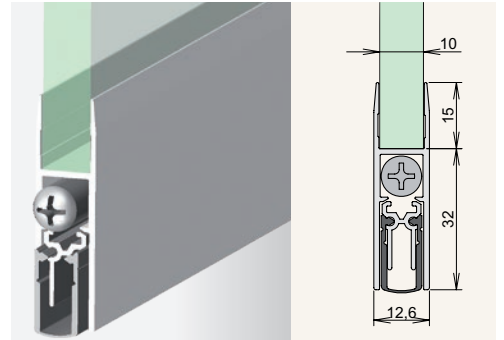
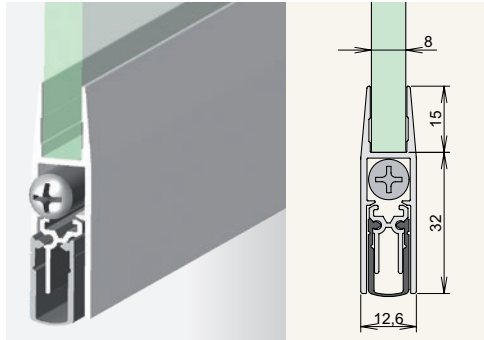


Schall-Ex® GS-H8

- For doors with 8 mm glass thickness
- Single actuation
- Suitable for DIN-L and DIN-R doors

Schall-Ex® GS-H10

- For doors with 10 mm glass thickness
- Single actuation
- Suitable for DIN-L and DIN-R doors

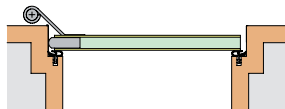


Surface finish

- Silver-coloured, anodised C-0
- Stainless steel-coloured, anodised C-31

- Silver-coloured, anodised C-0
- Stainless steel-coloured, anodised C-31

Fixing



Technical data

Glass thickness	8 mm	10 mm
Dimensions	15 x 32 x 12.6 mm	15 x 32 x 12.6 mm
Actuation	Single actuation	Single actuation
Sealing profile material	Silicone, self-extinguishing	Silicone, self-extinguishing
Travel	11 mm	11 mm
Minimum length	235 mm (cannot be shortened)	235 mm (cannot be shortened)
Standard lengths	708, 833, 958, 1,083, 1,208 mm	708, 833, 958, 1,083, 1,208 mm
Maximum length	1,333 mm	1,333 mm
Can be shortened by	125 mm	125 mm
Individually packed	Foil tube	Foil tube
Article number	1-415 C-0	1-453 C-0
	1-675 C-31	1-677 C-31
Accessories (included in delivery)	Art. no. 5503 including stainless steel press plate	Art. no. 5503 including stainless steel press plate

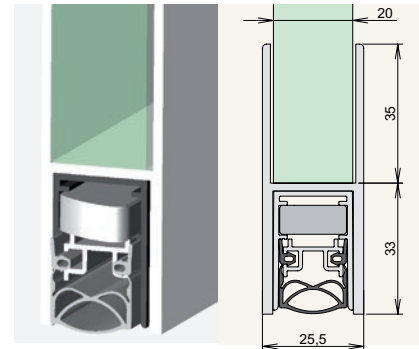
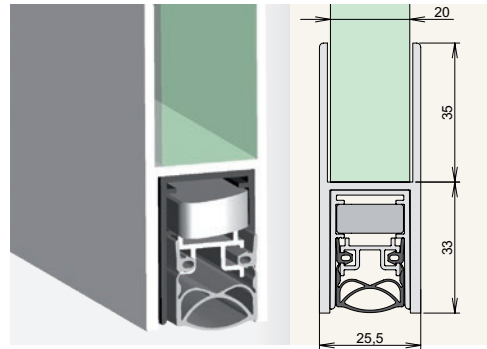


Schall-Ex® Duo GS-H20

- For doors with 20 mm glass thickness
- Double actuation
- Minimal, barely perceptible actuation pressure
- Suitable for DIN-L and DIN-R doors

Schall-Ex® GS-H20

- For doors with 20 mm glass thickness
- Single actuation
- Suitable for DIN-L and DIN-R doors

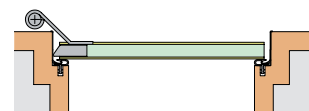
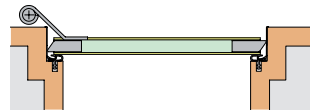


Surface finish

- Silver-coloured, anodised C-0

- Silver-coloured, anodised C-0

Fixing



Technical data

Glass thickness	20 mm
Dimensions	35 x 33 x 25.5 mm
Actuation	Double actuation
Sealing profile material	Silicone, self-extinguishing
Travel	12 mm
Minimum length	708 mm (cannot be shortened)
Standard lengths	708, 833, 958, 1,083, 1,208 mm
Maximum length	1,500 mm
Can be shortened by	125 mm
Individually packed	Foil tube
Article number	1-440 C-0
Accessories (included in delivery)	Art. no. 5420 including stainless steel press plate

Glass thickness	20 mm
Dimensions	35 x 33 x 25.5 mm
Actuation	Single actuation
Sealing profile material	Silicone, self-extinguishing
Travel	12 mm
Minimum length	220 mm (cannot be shortened)
Standard lengths	708, 833, 958, 1,083, 1,208 mm
Maximum length	2,000 mm
Can be shortened by	125 mm
Individually packed	Foil tube
Article number	1-439 C-0
Accessories (included in delivery)	Art. no. 5503 including stainless steel press plate



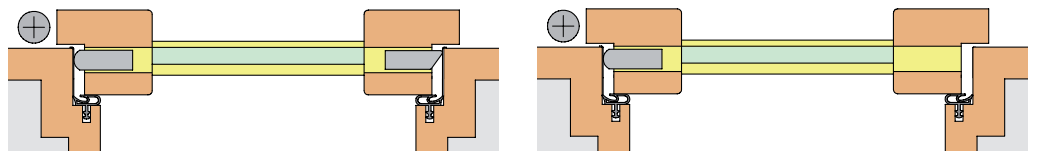
Surface finish

- Silver-coloured, anodised C-0

Adapter profile

- Adapter profile, 200 mm shorter than the double seal, can be individually shortened

Fixing

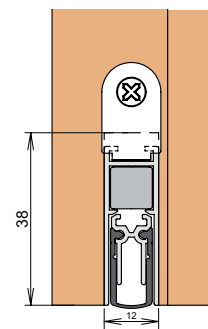
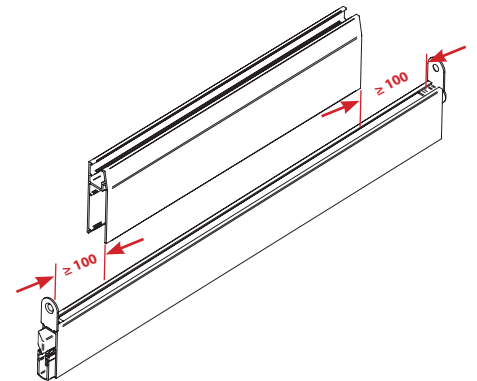
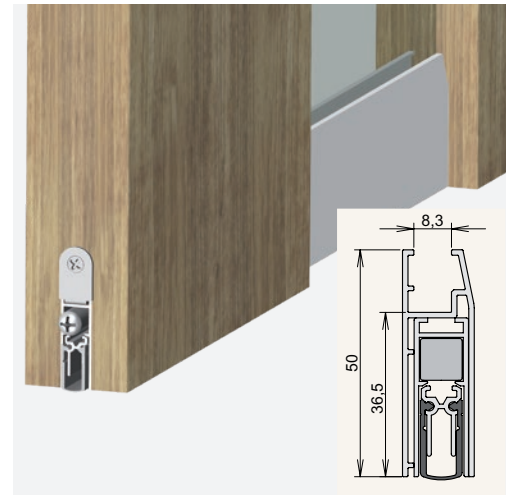


Technical data

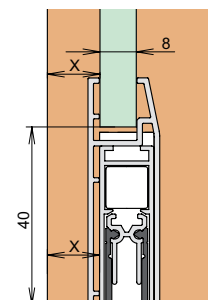
Dimensions	15 x 36.5 + x 13.5 mm	
Actuation	Double actuation	Single actuation
Sealing profile material	Silicone, self-extinguishing	
Travel	11 mm	
Minimum length	650 mm (n. s.)	235 mm (n. s.)
Standard lengths	708, 833, 958, 1,083, 1,208 mm	
Maximum length	1,333 mm	
Can be shortened by	Seal: 125 mm Adapter profile: any	
Individually packed	Foil tube	
Article number	1-710	1-711
Accessories (included in delivery)	Art. no. 5220 - Adapter profile - Stainless steel press plate	

Doppeldicht HGT-8

- For institutional doors with 8 mm thickness
- Single and double actuation
- Suitable for DIN-L and DIN-R doors
- Self-adhesive
adapter frame made of aluminium for glass
- Subsequent reduction in door height of 3 mm possible.



- End view: Wooden frame with groove
- Door leaf can be shortened on site by 3 mm.



- Cross section: Glass element
- Glass under about 40 mm shorter than the door panel



Surface finish

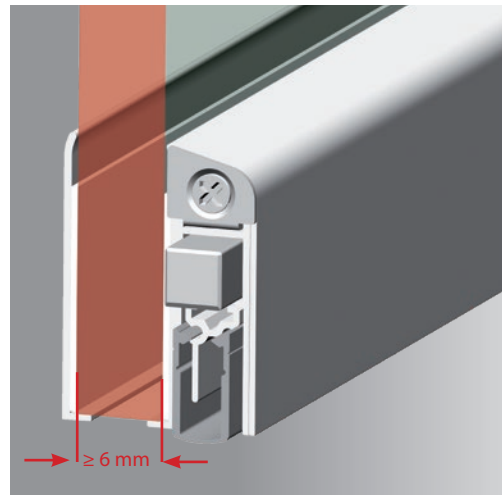
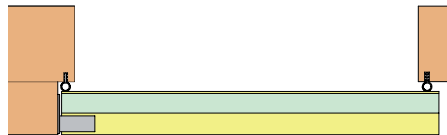
Schall-Ex® Slide GS-A

- For doors from 6 mm glass thickness
- Seal and separate cover profile, self-adhesive
- Reduced storage costs
- Suitable for retrofitting



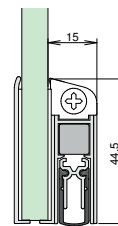
- Silver-coloured, anodised C-0
- Stainless steel-coloured, anodised C-31

Fixing



Technical data

Glass thickness	≥ 6 mm
Overall dimensions H x W	15.4 x 45 mm
Actuation	Single actuation
Sealing profile material	Silicone, self-extinguishing
Travel	11 mm
Minimum length	235 mm (cannot be shortened)
Standard lengths	708, 833, 958, 1,083, 1,208 mm
Maximum length	1,958 mm
Can be shortened by	125 mm
Individually packed	Foil tube
Article number	1-875 C-0 1-876 C-31

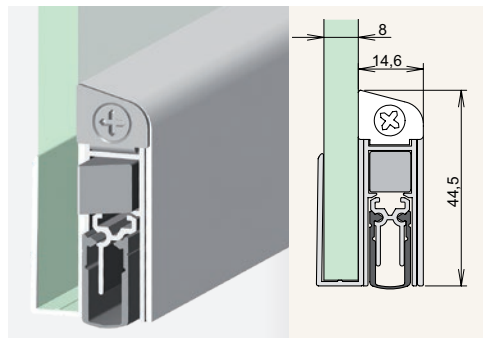


Accessories (included in delivery) Art. no. 5503 including stainless steel press plate



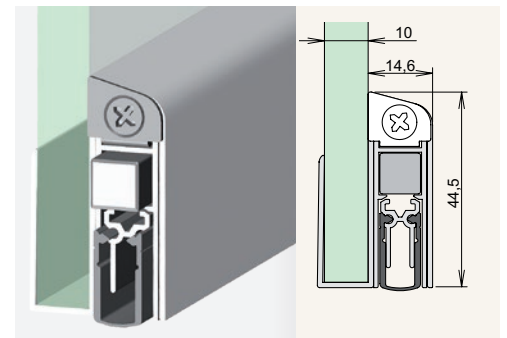
Schall-Ex® Slide GS-8

- For doors with 8 mm glass thickness
- Lowest actuation pressure: only 20 N/m
- Suitable for DIN-L and DIN-R doors
- For sliding doors with locks
- Can be used with automatic sliding doors



Schall-Ex® Slide GS-10

- For doors with 10 mm glass thickness
- Lowest actuation pressure: only 20 N/m
- Suitable for DIN-L and DIN-R doors
- For sliding doors with locks
- Can be used with automatic sliding doors



Surface finish

- Silver-coloured, anodised C-0
- Stainless steel-coloured, anodised C-31

Fixing



Technical data

	8 mm	10 mm
Glass thickness	8 mm	10 mm
Overall dimensions H x W	14.6 x 44.5 mm	14.6 x 44.5 mm
Actuation	Single actuation	Single actuation
Sealing profile material	Silicone, self-extinguishing	Silicone, self-extinguishing
Travel	11 mm	11 mm
Minimum length	280 mm (cannot be shortened)	280 mm (cannot be shortened)
Standard lengths	708, 833, 958, 1,083, 1,208 mm	708, 833, 958, 1,083, 1,208 mm
Maximum length	1,605 mm	1,605 mm
Can be shortened by	125 mm	125 mm
Individually packed	Foil tube	Foil tube
Article number	1-566 C-0	1-584 C-0
	1-678 C-31	1-679 C-31

Accessories
(included in delivery)

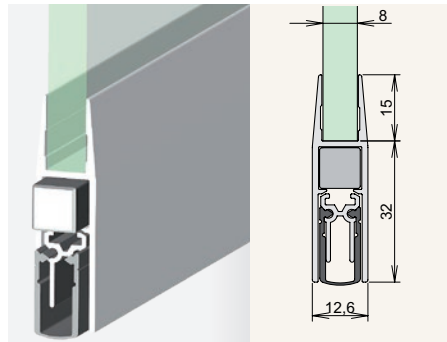
Art. no. 5424
including zinc die-cast press plate

Art. no. 5424
including zinc die-cast press plate



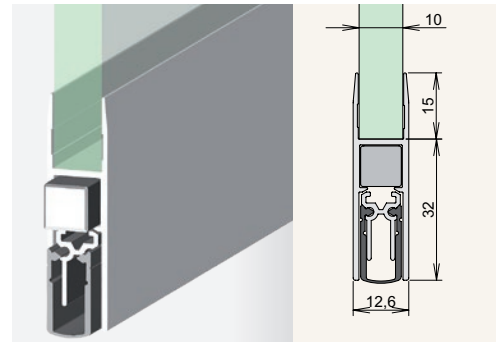
Schall-Ex® Slide GS-H8

- For doors with 8 mm glass thickness
- Lowest actuation pressure: only 20 N/m
- Suitable for DIN-L and DIN-R doors
- For sliding doors with locks
- Can be used with automatic sliding doors



Schall-Ex® Slide GS-H10

- For doors with 10 mm glass thickness
- Lowest actuation pressure: only 20 N/m
- Suitable for DIN-L and DIN-R doors
- For sliding doors with locks
- Can be used with automatic sliding doors



Surface finish

- Silver-coloured, anodised C-0
- Stainless steel-coloured, anodised C-31

Fixing



Technical data

	8 mm	10 mm
Glass thickness	8 mm	10 mm
Dimensions	15 x 32 x 12.6 mm	15 x 32 x 12.6 mm
Actuation	Single actuation	Single actuation
Sealing profile material	Silicone, self-extinguishing	Silicone, self-extinguishing
Travel	11 mm	11 mm
Minimum length	280 mm (cannot be shortened)	280 mm (cannot be shortened)
Standard lengths	708, 833, 958, 1,083, 1,208 mm	708, 833, 958, 1,083, 1,208 mm
Maximum length	1,605 mm	1,605 mm
Can be shortened by	125 mm	125 mm
Individually packed	Foil tube	Foil tube
Article number	1-578 C-0	1-680 C-31

Accessories (included in delivery) Art. no. 5424 including zinc die-cast press plate

Accessories (included in delivery) Art. no. 5424 including zinc die-cast press plate



"Allround seal"

System example for a complete sealing system for sliding glass doors.

We would be pleased to answer your enquiries.

- For enhanced seal against noise, draughts and smoke

We need horizontal and vertical cross-sections from you in the form of CAD data sets in .dxf or .dwg formats for custom planning



Example:

System consisting of

System for one door with door clearance width up to 2 x 1 m

All-glass sliding door running in front of the wall

Upper door seal ①

Schall-Ex Slide L-20/20 WS
Art. 1-796

Lateral seals ②

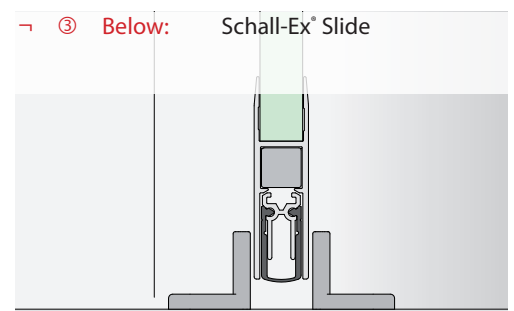
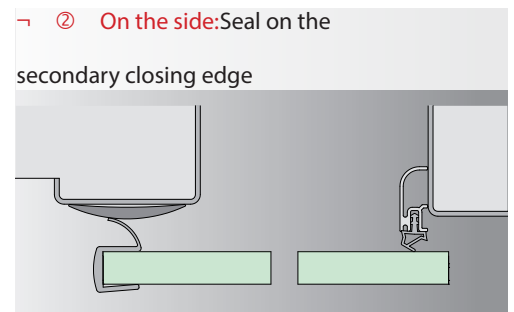
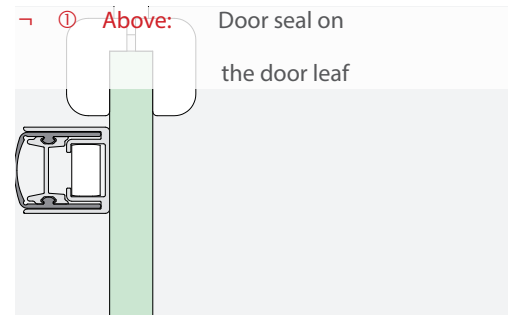
Aluminium threshold 253 item 3-114
+ Slide VN - 8/10 item 523
+ Unitherm FAS-20 Art. 319204

Lower door seal ③

Schall-Ex Slide GS H-8 / H-10
item 1-578 / 1-572

Door leaf guide ③

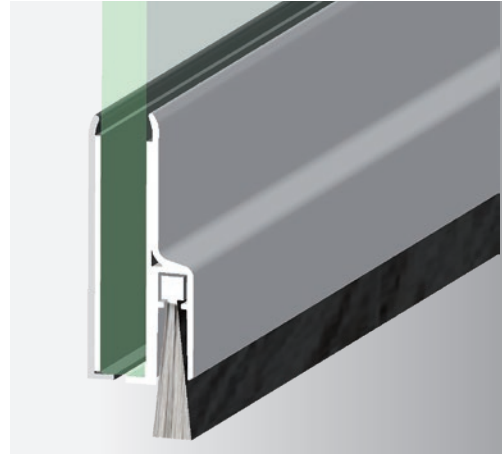
Sliding doorguide Art. 5106





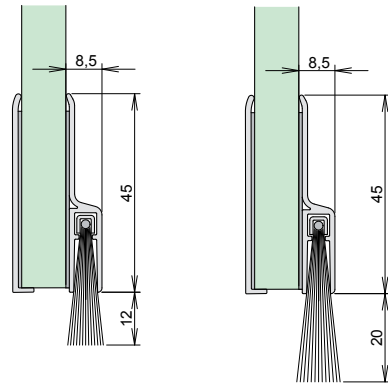
Glasdicht SK

- For glass doors with any glass thickness
- Self-adhesive, silver-coloured anodised aluminium profile
- With a cover profile for the back



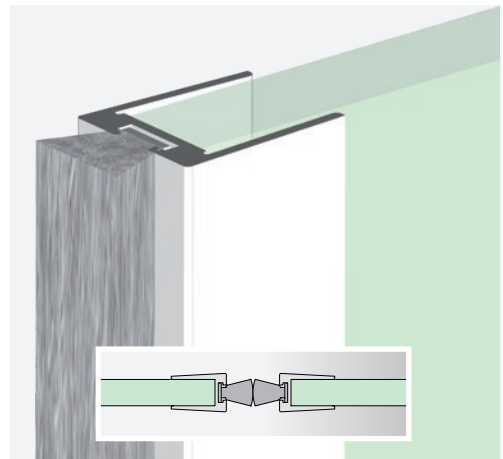
Technical data

Brush height	12 mm	20 mm
Versions	Self-adhesive	
Brush material	Horsehair, mixed	
Standard lengths	708, 833, 958, 1,083, 1,208 mm	
Maximum length	3,000 mm	
Individually packed	Foil tube	
Article number	4-158-012	4-158-020



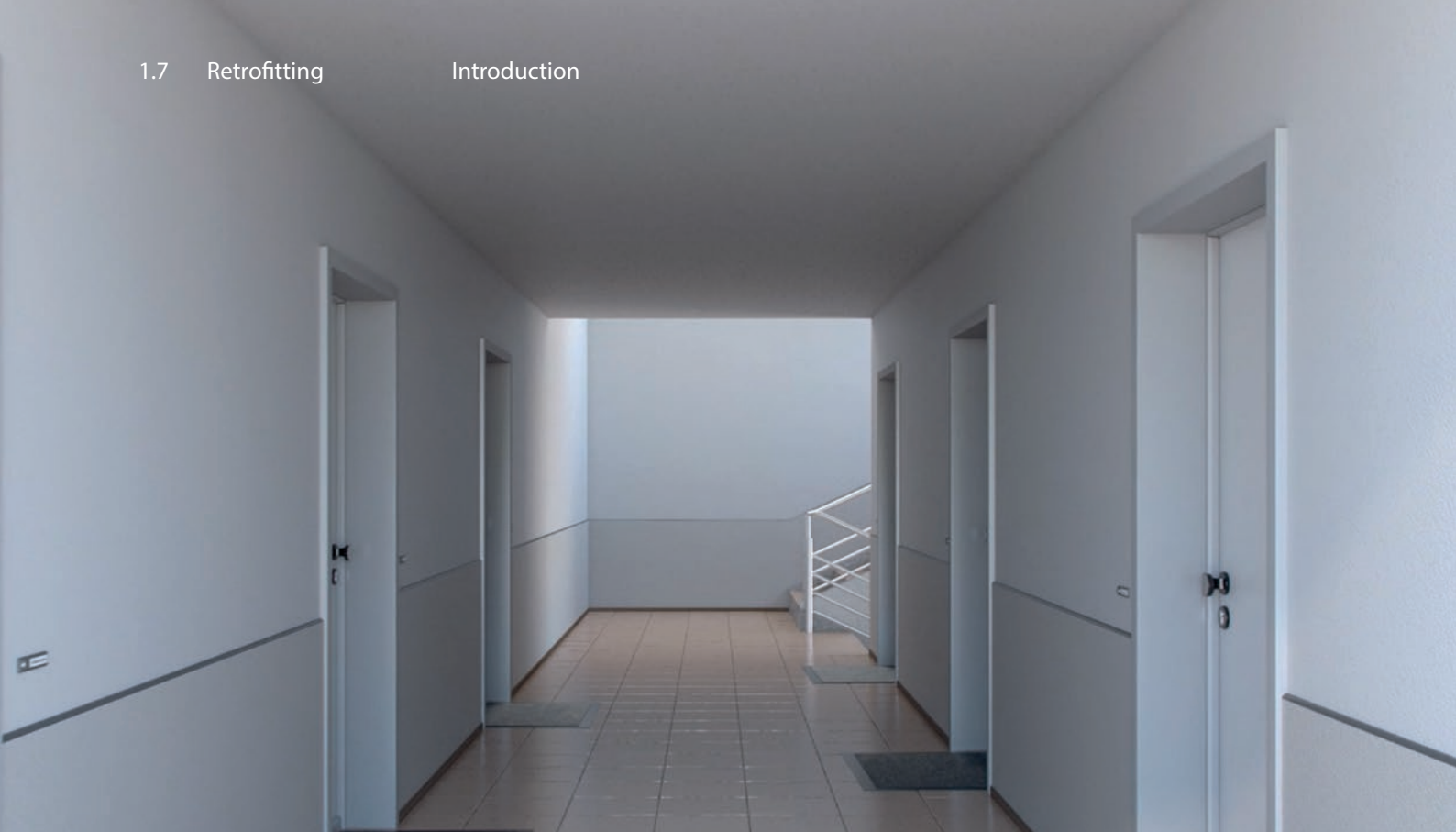
Glasdicht UB

- For glass edges
- Self-adhesive, silver-coloured anodised aluminium profile
- Glass thickness 8 or 10 mm
- Soft polypropylene brush for double gaps



Technical data

	Glasdicht UB-8/7.5	Glasdicht UB-8/10	Glasdicht UB-10/7.5	Glasdicht UB-10/10
Glass thickness	8 mm	8 mm	10 mm	10 mm
for gaps	7.5 mm	10 mm	7.5 mm	10 mm
Lengths	2,250 mm	2,250 mm	2,250 mm	2,250 mm
Article number	4-156-005	4-156-008	4-157-005	4-157-008



NADI® Seals for retrofitting

Seals for retrofitting of:

- Smoke, fire and acoustic doors
- Damp and wet room doors
- For single and double-wing doors
- Thin and thick rebate doors, flush-fit doors
- Suitable for doors made of wood, metal, plastic, and glass
- Innovative sealing system for subsequent upgrading for smoke protection.*
- Noise-reduced door closing with damping function
- Quick, secure and inexpensive installation thanks to pre-formed corners
- Maintenance free system
- Can be installed without removing the door
- in stock
- No additional sealing measures required
- Elegant, snap-on cover profile without any visible screws.
- Surface silver-coloured, anodised (C-0)



Fire doors



Acoustic doors



Closes with a tight seal



Damp room doors

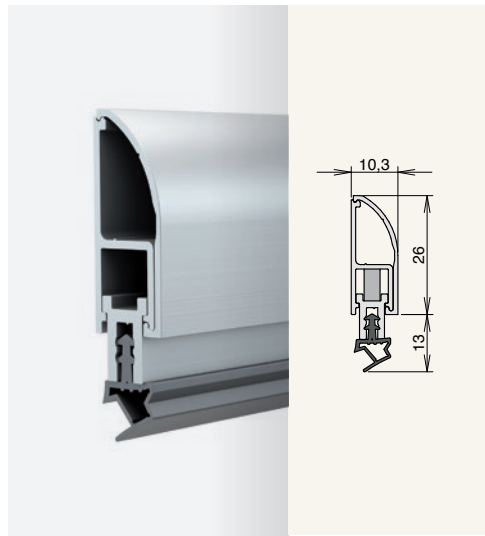


Barrier-free access

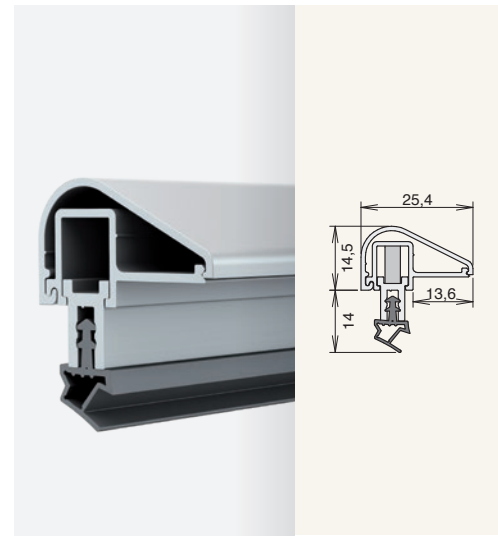


Smoke control

NADI®-SR



NADI®-SR A



- High sealing capacity even with strongly deformed door leaf
(Testing temperature 200°C for smoke protection test according to DIN 18095 / EN 1634 with 50 Pa)
- Max. 10 mm, optionally: 14 mm

- For single and double-wing doors
- For thin and thick rebate doors
- Snap-on cover profile
- Elongated holes and pre-formed corners for quick and easy installation

- For single and double-wing doors
- For the door threshold
- For flush-fit doors
- Snap-on cover profile
- Elongated holes for quick and easy installation

Technical data

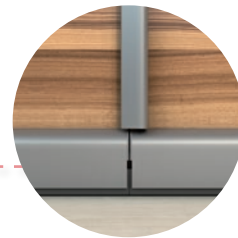
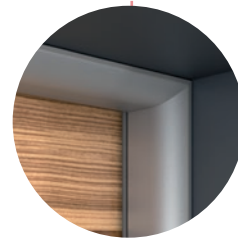
Width / height, actuated	10.3 mm	29 mm	25.4 mm	18 mm
Standard length	950 mm / 3,000 mm		950 mm / 3,000 mm	
Can be shortened by	150 mm on both sides		150 mm on both sides	
Tolerance compensation	10 mm (optionally 14 mm)		10 mm (optionally 14 mm)	
Profile material	Aluminium, natural, visible profiles Silver-coloured, anodised C-0		Aluminium, natural, visible profiles Silver-coloured, anodised C-0	
Sealing profile material	Silicone, self-extinguishing		Silicone, self-extinguishing	
Sealing profile colour	Grey		Grey	

We confirm the suitability of the NADI frame sealing system and the automatic Schall-Ex® L-15 FS door seal for the upgrading of a fire protection door based on DIN 18095-2 and DIN EN 1634-3. For potential necessary regulatory approval, we provide a report of the MPA NRW.

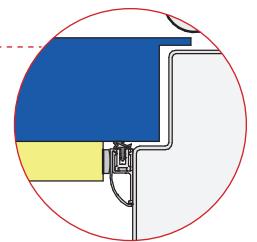
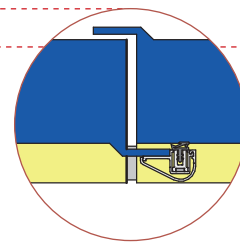
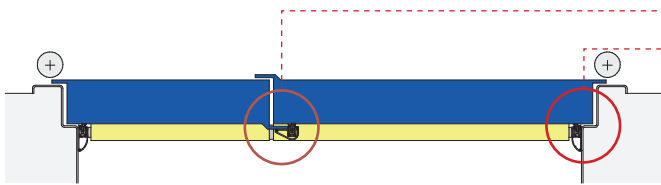


NADI® LM SET
for reveal mounting

- For single and double-wing doors
- **Optionally** with automatic seals for retrofitting Schall-Ex® L-15 FS

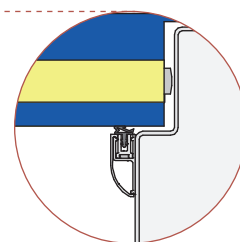
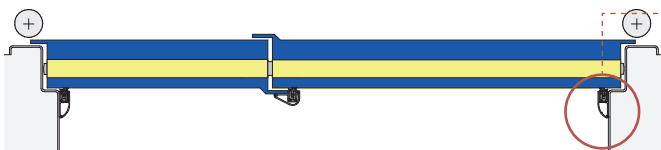


Fixing



- Montage Nadi®-SR / -SR A: on the closing surface
- Installation of Schall-Ex® L-15 FS: on the closing surface

Optionally,

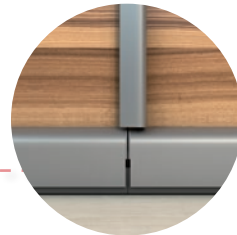
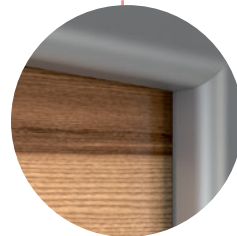


- Installation of Nadi®-SR: on the closing surface
- Installation of automatic door seal: in the groove

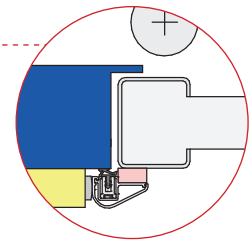
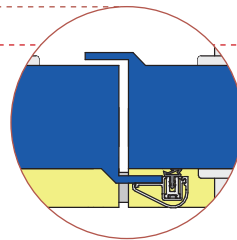
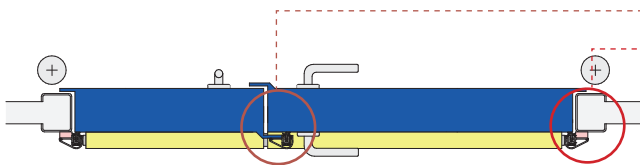


NADI® FM SET
for flush-fit installation

- For single and double-wing hinged doors
- **Optionally** with automatic seals for retrofitting Schall-Ex® L-15 FS

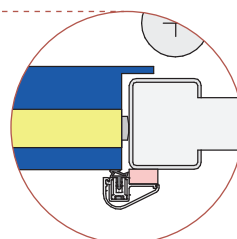
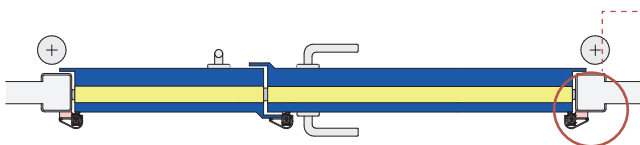


Fixing



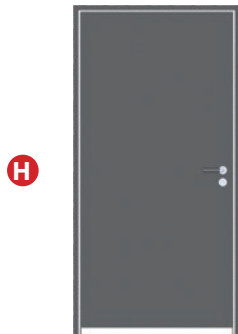
- Installation Nadi®-SR A: on the closing surface
- Installation of Schall-Ex® L-15 FS: on the closing surface

Optionally,

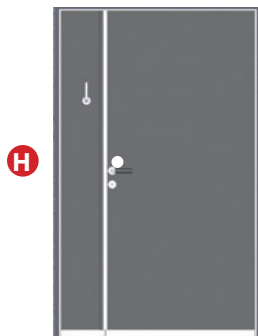


- Installation of Nadi®-SR: on the closing surface
- Installation of automatic door seal: in the groove

Set- Overview



W



W

NADI® LM Set
Art. no.

NADI® FM Set
Art. no.

		NADI® LM Set Art. no.	NADI® FM Set Art. no.
Single-wing door (mm)	H 2,100 x W 650 - 950	320 200	320 235
	H 2,100 x W 951 - 1,250	320 201	320 236
	H 2,100 x W 1,251 - 1,500	320 202	320 237
	H 2,400 x W 650 - 950	320 208	320 238
	H 2,400 x W 951 - 1,250	320 209	320 239
	H 2,400 x W 1,251 - 1,500	320 210	320 240
	H 2,700 x W 650 - 950	320 216	320 241
	H 2,700 x W 951 - 1,250	320 217	320 242
	H 2,700 x W 1,251 - 1,500	320 218	320 243
	H 3,000 x W 650 - 950	320 225	320 244
	H 3,000 x W 951 - 1,250	320 226	320 245
	H 3,000 x W 1,251 - 1,500	320 227	320 246
Double-wing door (mm)	H 2,100 x W 951-1,250	320 203	320 247
	H 2,100 x W 1,251 - 1,500	320 204	320 248
	H 2,100 x W 1,501 - 1,800	320 205	320 249
	H 2,100 x W 1,801 - 2,100	320 206	320 250
	H 2,100 x W 2,101 - 2,400	320 207	320 251
	H 2,100 x W 2.401 - 2,700	320 316	-
	H 2,400 x W 951 - 1,250	320 211	320 252
	H 2,400 x W 1,251 - 1,500	320 212	320 253
	H 2,400 x W 1,501 - 1,800	320 213	320 254
	H 2,400 x W 1,801 - 2,100	320 214	320 255
	H 2,400 x W 2,101 - 2,400	320 215	320 256
	H 2,400 x W 2.401 - 2,700	320 317	-
	H 2,700 x W 951 - 1,250	320 219	320 257
	H 2,700 x W 1,251 - 1,500	320 220	320 258
	H 2,700 x W 1,501 - 1,800	320 221	320 259
	H 2,700 x W 1,801 - 2,100	320 222	320 260
	H 2,700 x W 2,101 - 2,400	320 223	320 261
	H 2,700 x W 2,401 - 2,700	320 224	320 262
	H 3,000 x W 951 - 1,250	320 228	320 263
	H 3,000 x W 1,251 - 1,500	320 229	320 264
	H 3,000 x W 1,501 - 1,800	320 230	320 265
	H 3,000 x W 1,801 - 2,100	320 231	320 266
	H 3,000 x W 2,101 - 2,400	320 232	320 267
	H 3,000 x W 2,401 - 2,700	320 233	320 268
H 3,000 x W 2,701 - 3,000	320 234	320 269	

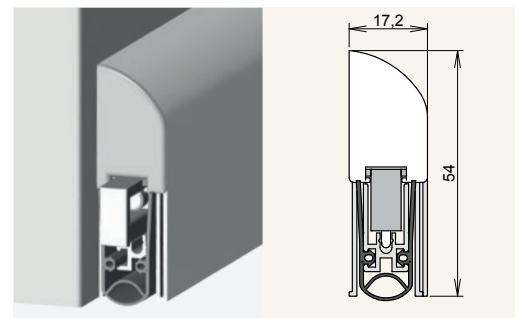
Further sets on request.

Optionally

Schall-Ex® L-15 FS

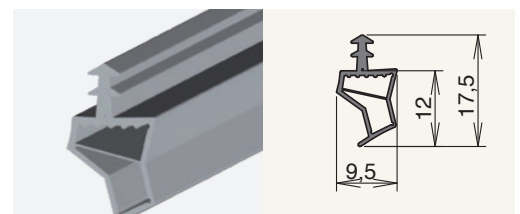
The best sound insulation
for retrofitting (see p. 88)

- For sealing heights up to 20 mm
- Snap-on cover profile
- Concealed screws



Sealing profile 102

- For increased demands
with up to 14 mm tolerance compensation
- Self-extinguishing silicone,
Colour: grey



The right to make technical changes is reserved athmer oHG | Last updated 30.05.2018



- 🔥
- 📶
- ❄️
- ♿
- ♿
- 🌀





NEW

Application example and fixing

Note

NADI® LM K Set

for reveal mounting

- For single-wing smoke dampers
- **For reinforcement of fire/smoke dampers**
- Pre-formed corners

NADI® FM K Set

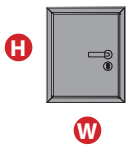
for flush-fit installation

- For single-wing smoke dampers
- **For reinforcement of fire/smoke dampers**



- See NADI® LM/FM set, page 78-79

- One set consisting of two lengths



Fire/smoke dampers (mm)

		NADI® LM K Set	NADI® FM Set
		Art. no.	Art. no.
650, can be shortened to	450	320 321	320 318
950, can be shortened to	651	320 323	320 334
1,250, can be shortened to	951	320 325	320 335
1,500, can be shortened to	1,251	320 327	320 336
1,800, can be shortened to	1,501	320 329	320 337
2,100, can be shortened to	1,801	320 330	320 338
2,400, can be shortened to	2,101	320 331	320 339
2,700, can be shortened to	2,401	320 332	320 340
3,000, can be shortened to	2,701	320 333	320 341

Order example

1 set = 2 pieces

Fire/smoke dampers height 800 mm x width 600 mm =

Height: 1 Set of NADI® LM K 320 323
(2 pieces, each 950 mm, can be shortened to 651 mm)

Width: 1 Set of NADI® LM K 320 321
(2 pieces, each 650 mm, can be shortened to 450 mm)

Schall-Ex® Applic

- For retrofitting smoke protection
- For retrofitting acoustic protection
- Flexible fit to uneven floors



Smoke and fire doors



- Use of self-extinguishing silicone profile

Schall-Ex® Applic is suitable for use with fire doors and smoke protection doors. We recommend the following procedure:

The door manufacturer (type plate on the door) should approve the door seal.

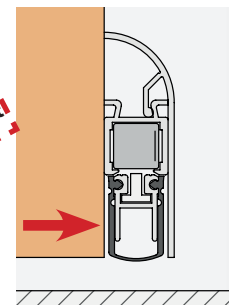
The door manufacturer will be supported by us in doing so.

Retrofitting is only possible with the permission of the building supervisory authority/fire authority.

Acoustic doors



- Direct sealing profile system on the door leaf
- Wide silicone profile for flexible floor level adjustment
- Sealing profile extends right into the corners
- For carpeted or tiled floors, use Athmer thresholds



Barrier-free



- Meets requirements for barrier-free construction

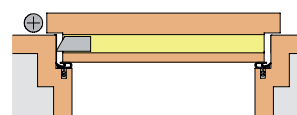
"Ü" sign of compliance

- Supplied with the "Ü" sign of compliance



Fixing

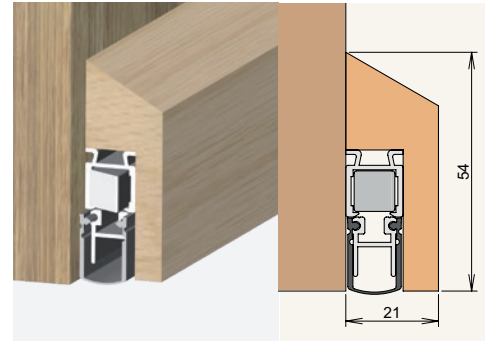
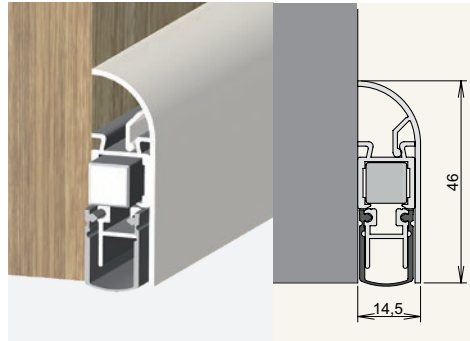
- Screw-fixed to the closing surface
- Hinge-side actuation





Schall-Ex® Applic A

Schall-Ex® Applic T



Plinth

- Aluminium
- Snap-on cover profile
- Concealed screws

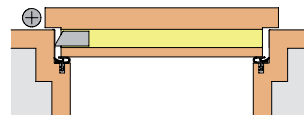
- Oak wood

Finishes

- Silver-coloured, anodised C-0
- White, powder-coated RAL 9016,
- Dark bronze, anodised (C-34)

- Oak, untreated, for on-site adjustment to the door surface

Fixing



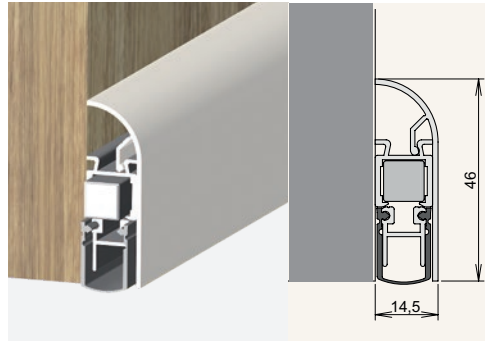
Technical data

Overall dimensions H x W	14.5 x 46 mm	21 x 54 mm		
Actuation	Single actuation	Single actuation		
Sealing profile material	Silicone, self-extinguishing	Silicone, self-extinguishing		
Travel	Recommended 5 mm (max.11 mm)	Recommended 5 mm (max.11 mm)		
Minimum length	235 mm (cannot be shortened)	235 mm (cannot be shortened)		
Standard lengths	805, 930, 1,055 mm	805, 930, 1,055 mm		
Maximum length	1,333 mm	1,333 mm		
Can be shortened by	125 mm	125 mm		
Individually packed	Foil tube	Foil tube		
Article number	1-658 C-0	1-668 RAL 9016	1-669 C-34	1-659
Accessories (included in delivery)	Art. no. 5126 including stainless steel press plate		Art. no. 5126 including stainless steel press plate	



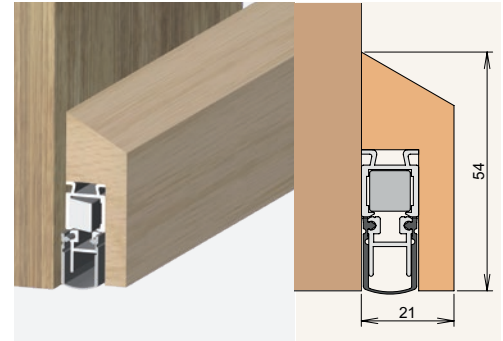
Schall-Ex® SLIDE Applic A

➤ For sliding doors running in front of the wall



Schall-Ex® SLIDE Applic T

➤ For sliding doors running in front of the wall



Plinth

- Aluminium
- Snap-on cover profile
- Concealed screws

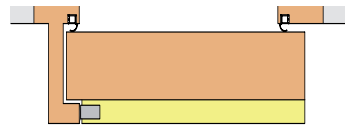
- Oak wood

Finishes

- Silver-coloured, anodised C-0
- White, powder-coated RAL 9016
- Dark bronze, anodised (C-34)

- Oak, untreated, for on-site adjustment to the door surface

Fixing



Technical data

Overall dimensions H x W	14.5 x 46 mm	21 x 54 mm	
Actuation	1-sided, opening face	1-sided, lock side	
Sealing profile material	Silicone, self-extinguishing	Silicone, self-extinguishing	
Travel	Recommended 5 mm (max.11 mm)	Recommended 5 mm (max.11 mm)	
Minimum length	235 mm (cannot be shortened)	235 mm (cannot be shortened)	
Standard lengths	805, 930, 1,055 mm	805, 930, 1,055 mm	
Maximum length	1,333 mm	1,333 mm	
Can be shortened by	125 mm	125 mm	
Individually packed	Foil tube	Foil tube	
Article number	1-717 C-0	1-810 RAL 9016	1-811 C-34
Accessories (included in delivery)	Art. no. 5129 including zinc die-cast press plate and cushioning		
	Art. no. 5129 including zinc die-cast press plate and cushioning		



Wind-EX

- ▮ prevents draughts
- ▮ saves heating costs
- ▮ for enhanced living comfort

Plinth

- ▮ Aluminium
- ▮ Snap-on cover profile
- ▮ Concealed screws

Surface finish

- ▮ Silver-coloured, anodised C-0
- ▮ White, powder-coated RAL 9016,
- ▮ Dark bronze, anodised (C-34)

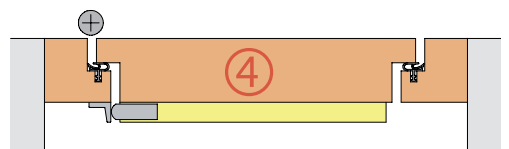
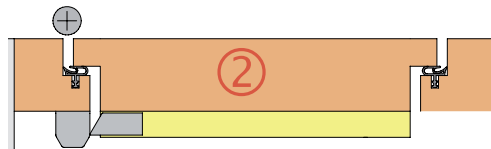
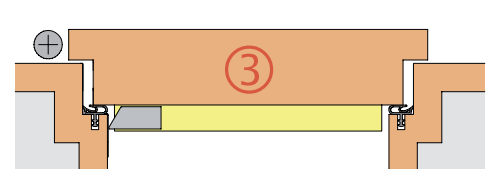
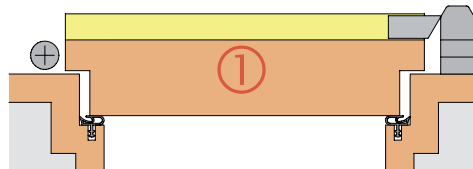
Packaging

- ▮ Sales packaging includes installation instructions

Accessories

- ▮ With pressure block(①②)
- ▮ With angle pressure bracket (Wind-Ex A ④)
- ▮ With press plate
- ▮ With end cover caps

Fixing options



Internet

Installation instructions

List of accessories with illustrations

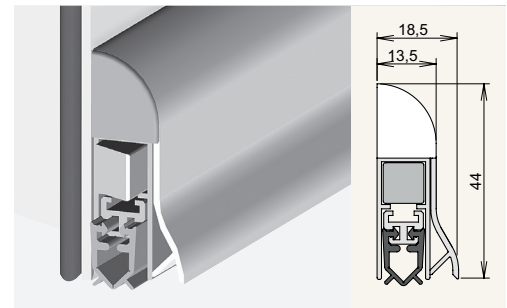
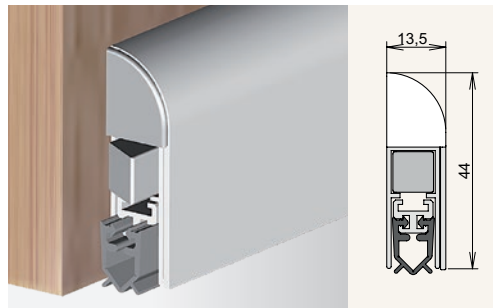
Cross-sections, scale 1:1



Wind-EX

Wind-EX RTK-1

With integral rainwater drip edge



Technical data

Overall dimensions H x W	13.5 x 44 mm		
Actuation	Single actuation		
Fixing options	① ② ③		
Sealing profile material	PVC		
Travel	11 mm		
Minimum length	235 mm (cannot be shortened)		
Standard lengths	735, 860, 985, 1,110 mm		
Maximum length	1,335 mm		
Can be shortened by	125 mm		
Article number	1-311 RAL 9016	1-310 C-0	1-309 C-34

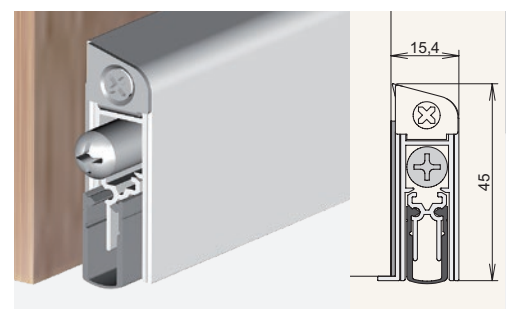
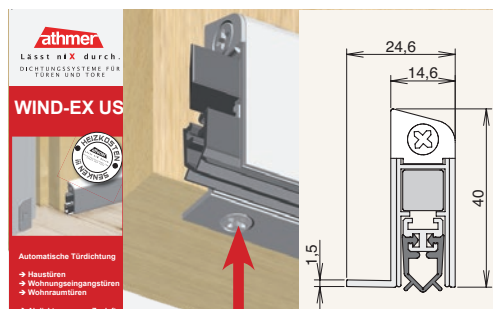
Overall dimensions H x W	18,5 x 44 mm		
Actuation	Single actuation		
Fixing options	① ② ③ (refer to page 80)		
Sealing profile material	PVC		
Travel	11 mm		
Minimum length	235 mm (cannot be shortened)		
Standard lengths	735, 860, 985, 1,110 mm		
Maximum length	1,335 mm		
Can be shortened by	125 mm		
Article number	1-465 RAL 9016	1-466 C-0	1-467 C-34

Wind-EX US

No visible damage to door

Wind-EX A

For sticking on



Technical data

Overall dimensions H x W	14.6 x 40 mm		
Actuation	Single actuation		
Fixing options	① ② ③		
Sealing profile material	PVC		
Travel	11 mm		
Minimum length	235 mm (cannot be shortened)		
Standard lengths	735, 860, 985, 1,110 mm		
Maximum length	1,335 mm		
Can be shortened by	125 mm		
Article number	1-788 RAL 9016	1-789 C-0	1-790 C-34

Overall dimensions H x W	15.4 x 45 mm		
Actuation	1-sided, opening face		
Fixing options	③ ④		
Sealing profile material	Silicone		
Travel	11 mm		
Minimum length	235 mm (cannot be shortened)		
Standard lengths	735, 860, 985, 1,110 mm		
Maximum length	1,335 mm		
Can be shortened by	125 mm		
Article number	1-819 RAL 9016	1-812 C-0	1-813 C-34

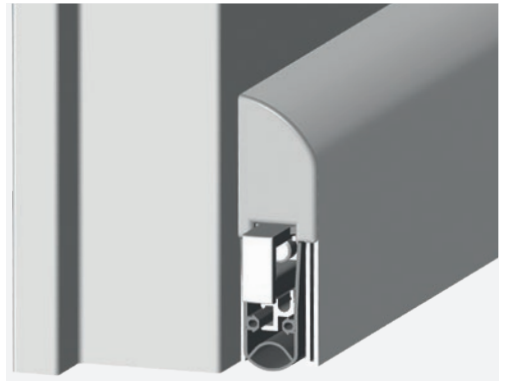


Schall-Ex® L-15 FS

The best sound insulation

for retrofitting

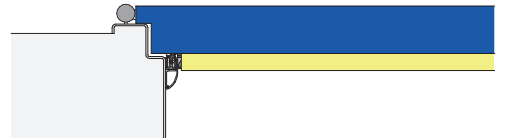
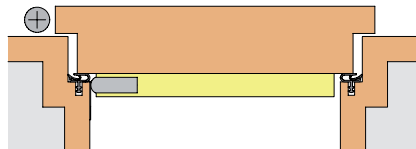
- For sealing heights up to 20 mm
- Snap-on cover profile
- Concealed screws
- Increased stability of form in the door rebate area
- Optimal corner connection
- Easy handling with shortened seal length



Surface finish

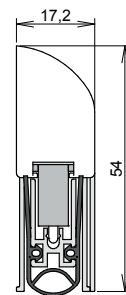
- Stainless steel-coloured, anodised C-31
- Silver-coloured, anodised C-0
- White RAL 9016

Fixing



Technical data

Overall dimensions H x W	54 x 17.2 mm		
Actuation	Single actuation		
Sealing profile material	Silicone, self-extinguishing		
Travel	20 mm		
Minimum length (cannot be shortened)	370 mm (cannot be shortened)		
Standard lengths	805, 930, 1,055 mm		
Maximum length	1,600 mm		
Can be shortened by	125 mm		
Article number	1-885 C-31	1-884 C-0	1-888 C-34



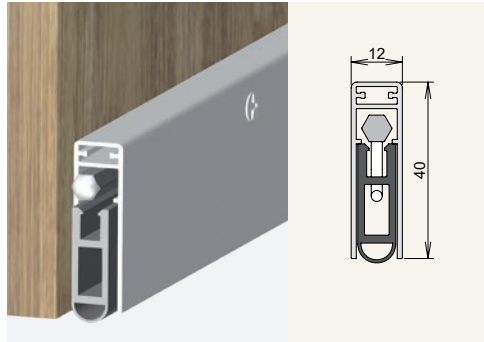
Accessories
(included in delivery)

Art. no. 5314
including stainless steel press plate



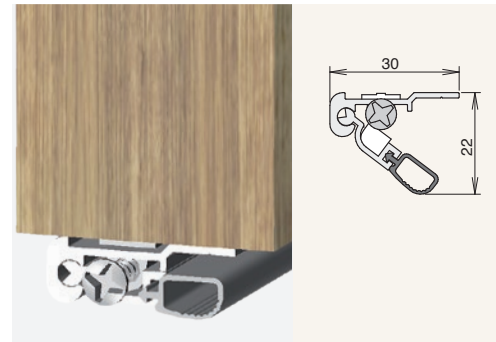
Kältefeind® Allround

- The classic seal on the market
- Proven over more than 50 years
- Surface: silver-coloured, anodised
- With 3 possible fixing configurations
- Individually-packed

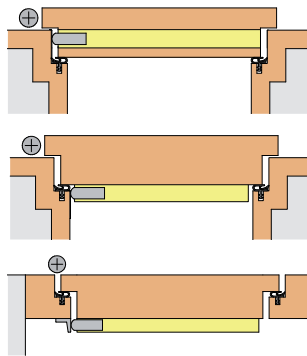


Luftstopp

- For sealing heights from 10 mm to 22 mm
- Solid outer casing with protective protrusion to prevent damage to the door if it touches the floor



Fixing

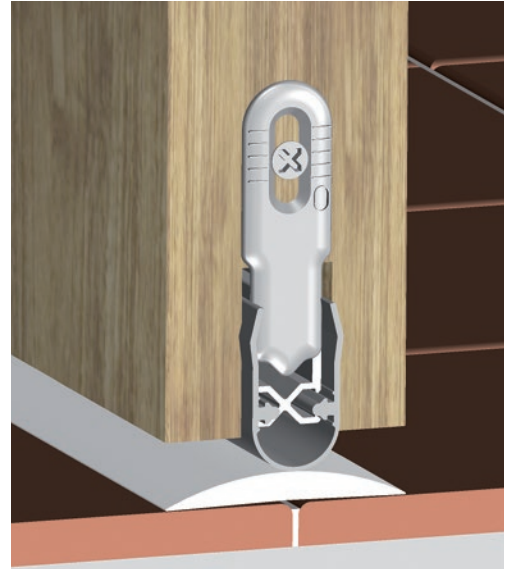


Technical data

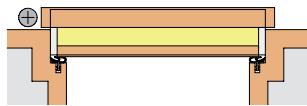
Overall dimensions H x W	40 x 12 mm	10 x 30 mm
Actuation	Single actuation	Single side, actuator screw
Sealing profile material	PVC	PVC, self-extinguishing
Travel	max. 18 mm	12 mm
Minimum length (cannot be shortened)	310 mm (cannot be shortened)	200 mm (cannot be shortened)
Standard lengths	708, 833, 958, 1,083, 1,208 mm	708, 833, 958, 1,083, 1,208 mm
Maximum length	2,000 mm	1,250 mm
Can be shortened by	125 from 708 mm	On request
Article number	1-689	1-162 DIN/L 1-163 DIN/R
Accessories (included in delivery)	Art. no. 5128	Art. no. 5503 including press plate

Tilt seal A-15

- Wide adjustment range: up to 15 mm
- Easy height adjustment even with uneven floors
- Simplified inventory as it can be shortened

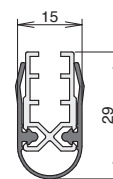


Fixing



Technical data

Groove width	15 mm
Actuation	Tilt seal
Sealing profile material	Silicone (optionally self-extinguishing)
Adjustment range	15 mm
Minimum length	220 mm (cannot be shortened)
Standard lengths	708, 833, 958, 1,083, 1,208 mm
Maximum length	1,333 mm
Can be shortened by	as required

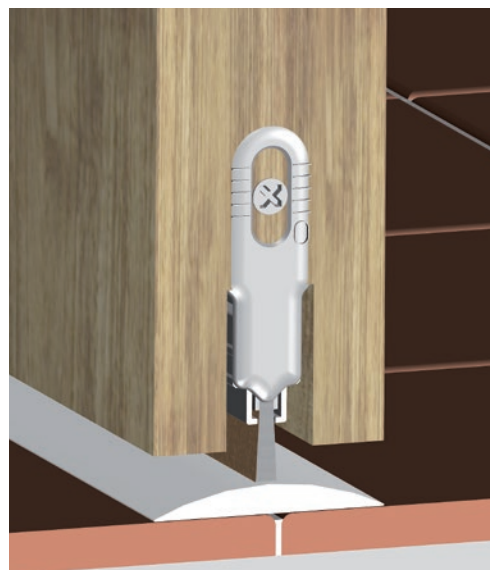


Article number	1-372
----------------	-------

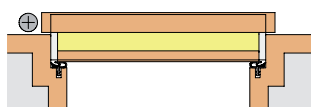
Accessories (included in delivery)	Art. no. 5512
---------------------------------------	---------------

Tilt seal B-12

- Fast installation and easy height adjustment with 2 screws
- Highly rigid aluminium profile
- Optimal performance in conjunction with Athmer threshold

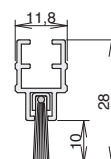


Fixing



Technical data

Groove width	12 mm
Actuation	Tilt seal
Sealing profile material	Polyamide, black
Adjustment range	Adjustment range: 10 mm
Minimum length	220 mm (cannot be shortened)
Standard lengths	708, 833, 958, 1,083, 1,208 mm
Maximum length	1,333 mm
Can be shortened by	as required
Article number	1-530

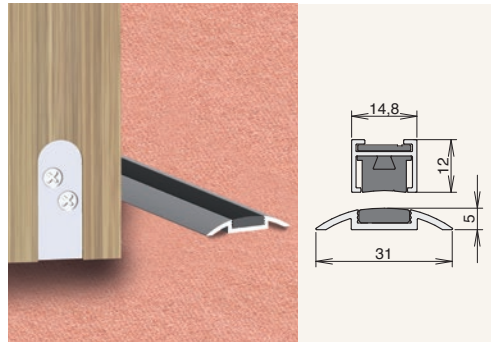


Accessories

Art. no. 5512

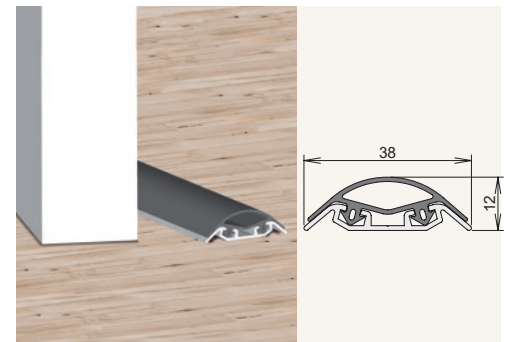
Magnetomat

- Works on the proven principle of magnetic force
- Automatic level adjustment through flexible magnet tape
- No seal adjustment necessary

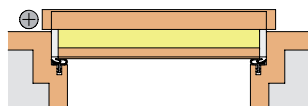


Threshold seal TS-88

- Threshold with integrated sealing function
- For screwing onto finished flooring



Fixing

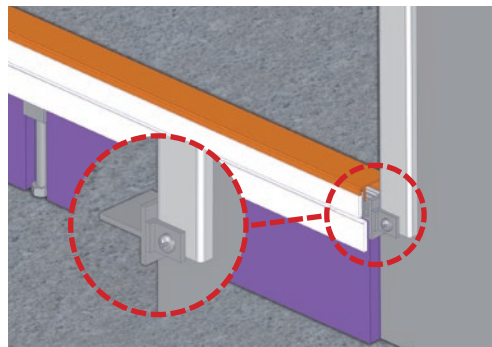
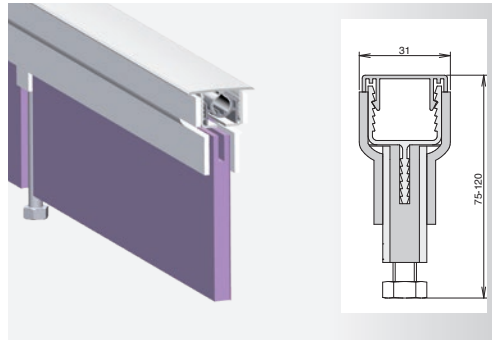


Technical data

Groove width	15 mm	-	-
Actuation	-	Threshold profile	-
Sealing profile material	Magnetic tape	Plastic	-
Travel Adjustment range	5 mm	3 mm	-
Minimum length	585 mm (cannot be shortened)	-	-
Standard lengths	708, 833, 958, 1,083, 1,208 mm	1,000 and 2,000 mm	-
Maximum length	1,333 mm	2,000 mm	-
Can be shortened by	as required	as required	-
Article number	1-167 C-0	3-132 Grey	3-134 black

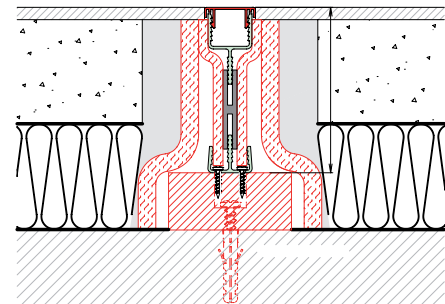
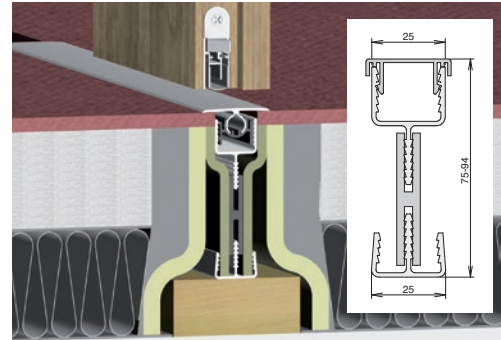
Screed Separation ETS

- Lateral fixing for steel frames with floor recess
- Acoustic barrier
- Thermal barrier against the cold



Screed Separation ETB-94

- For fixing to concrete floor (building shell)
- Acoustic barrier
- Thermal barrier against the cold



Technical data

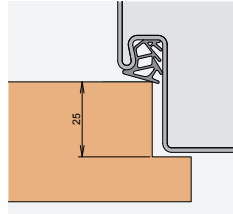
Installation height	up to 120 mm
Material	Housing = aluminium
Maximum length	3,000 mm
Standard lengths	715, 840, 965, 1,090, 1,215 mm
Fixed lengths	Available
Minimum length	None
Floor recess	35 mm min.

up to 94 mm
(> 94 mm with customer-supplied spacer)

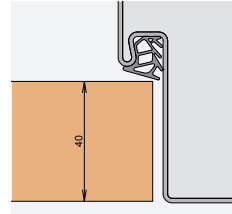
Material	Housing = aluminium
Maximum length	3,000 mm
Standard lengths	715, 840, 965, 1,090, 1,215 mm
Fixed lengths	Available
Minimum length	None

Screed separation ETS

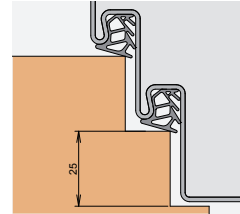
- 3 standard types. Further versions on request.



ETS-40F
Standard
rebate



ETS-40S
Without re-
bate

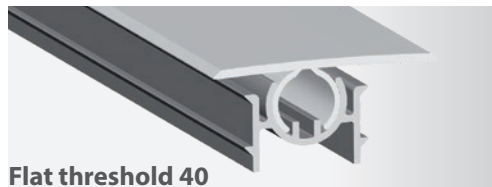


ETS-65F
Double re-
bate

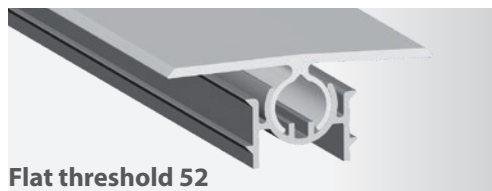
Options

Thresholds for ETB-94 / ETS

- Seals and thresholds optimally matched, providing a good seal
- Easy installation through clip-on threshold fixing
- Concealed and hygienic fixing



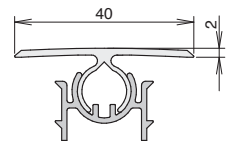
Flat threshold 40



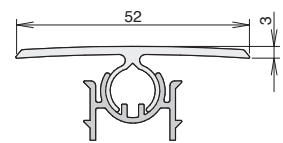
Flat threshold 52



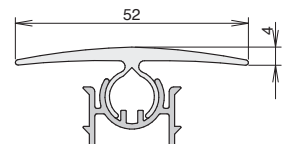
Half-round threshold 52



Art. no. 3-199



Art. no. 3-194



Art. no. 3-197

Technical data

Surface finish	Aluminium, silver-coloured, anodised (C-0)
Maximum length	3,000 mm
Standard lengths	715, 840, 965, 1,090, 1,215 mm Fixed lengths available

Optimal performance of seal!

For carpets

- Up to 22 dB better sound reduction
- Partition of the carpet recommended

For tiled floors

- Smooth contact surface is created
- Joints are sealed

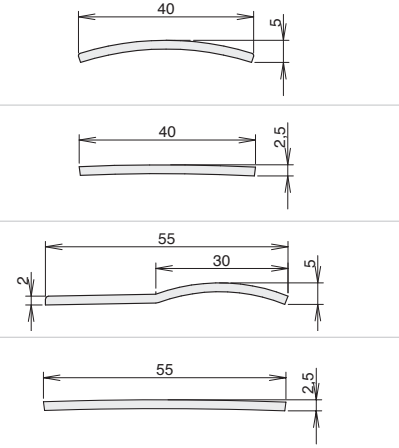
Stainless steel
With brushed matt finish, with protective foil

Stainless steel threshold 164
Art. no. 3-107

Stainless steel threshold 365
Art. no. 3-135

Stainless steel threshold 288
Art. no. 3-103

Stainless steel threshold 513
Art. no. 3-150



Aluminium
Silver-coloured, anodised Optionally: Anodised shades according to EURAS

Aluminium threshold 090
Art. no. 3-111

Aluminium threshold 253
Art. no. 3-114

Aluminium threshold 088
Art. no. 3-117

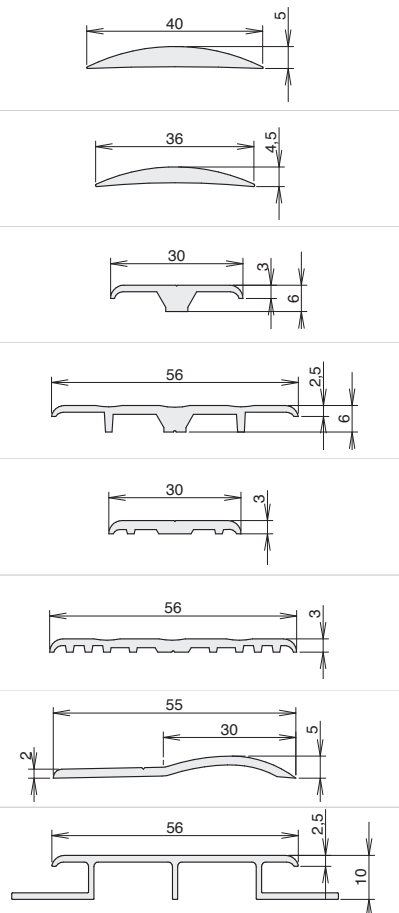
Aluminium threshold 277
Art. no. 3-104

Aluminium threshold 308
Art. no. 3-120

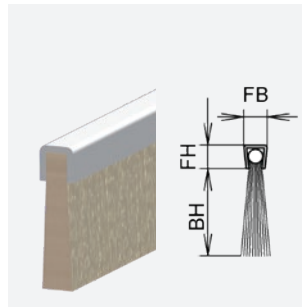
Aluminium threshold 278
Art. no. 3-108

Aluminium threshold 217
Art. no. 3-100

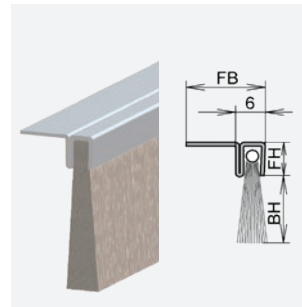
Aluminium threshold 496
Art. no. 3-152



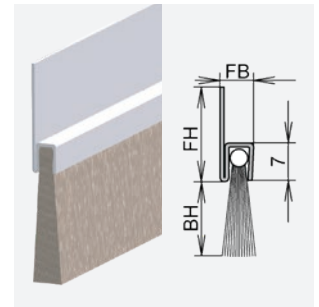
- Thresholds (aluminium and stainless steel) available with or without drill holes



For in-groove mounting



Screw-under



Screw-on

Nirobros

Carrier profile: Stainless steel

Technical data

Type

	NE 4.0	NE 4.0
Article number	4-436	4-440
Fixing	In-groove	In-groove
FB	4 mm	4 mm
FH	4 mm	4 mm
Brush material	Black PA	Horsehair, mixed
Max. length	2,700 mm	2,700 mm

Alubros

Carrier profile: Anodised aluminium

	AU 18-9 silver	AU 18-9 silver	AA 25-8 silver	AA 25-8 silver
Article number	4-133	4-134	4-121	4-122
Fixing	Screw-under	Screw-under	Screw-on	Screw-on
FB	18 mm	18 mm	8.5 mm	8.5 mm
FH	10 mm	10 mm	25 mm	25 mm
Brush material	Black PA	Horsehair, mixed	Black PA	Horsehair, mixed
Max. length	2,700 mm	2,700 mm	2,700 mm	2,700 mm

Technical data

Type

	FE 4.0	FE 4.0	FU 16-7	FU 16-7
Article number	4-336	4-340	4-354	4-358
Fixing	In-groove	In-groove	Screw-under	Screw-under
FB	4 mm	4 mm	16 mm	16 mm
FH	4 mm	4 mm	7 mm	7 mm
Brush material	Black PA	Horsehair, mixed	Black PA	Horsehair, mixed
Max. length	2,700 mm	2,700 mm	2,700 mm	2,700 mm

Ferrobros

Carrier profile: Steel, GV

Type

	FA 25-6	FA 25-6	FA 40-9
Article number	4-306	4-310	4-324
Fixing	Screw-on	Screw-on	Screw-on
FB	6 mm	6 mm	9 mm
FH	25 mm	25 mm	40 mm
Brush material	Black PA	Horsehair, mixed	Black PA
Max. length	2,700 mm	2,700 mm	2,700 mm

Properties

Max. water absorption
Abrasion behaviour
Resilience
UV resistance
Temperature range
Electric conductivity
+ = poor
++ = medium
+++ = good

Tolerances

Type

In-groove NE 4 + FE 4

FA 25 + FU 16 screw-on and screw-under

Screw-on and screw-under FA 40

Screw-on and screw-under AU + AA

Natural bristles

Horsehair, mixed
Not suitable for continuous stress
+
++
+++
-20°C to +150°C
++

Synthetic bristles

Polyamide PA 6.0 black
10 %
++
++
++
-20°C to +100°C
++

	Lengths	Mounting height	Brush height	Mounting width	Total height
In-groove NE 4 + FE 4	+/- 2 mm	+/- 0,7 mm	+/- 1 mm	+ 0,7/- 0,5 mm	+/- 1 mm
FA 25 + FU 16 screw-on and screw-under	+/- 2 mm	+/- 2 mm	+/- 2 mm	+/- 0,7 mm	+/- 2 mm
Screw-on and screw-under FA 40	+/- 2 mm	+ 3/-2 mm	+/- 3 mm	+/- 1 mm	+/- 3 mm
Screw-on and screw-under AU + AA	+/- 2 mm	+/- 0,25 mm	+/- 2 mm	+/- 0,25 mm	+/- 2 mm

Technical data

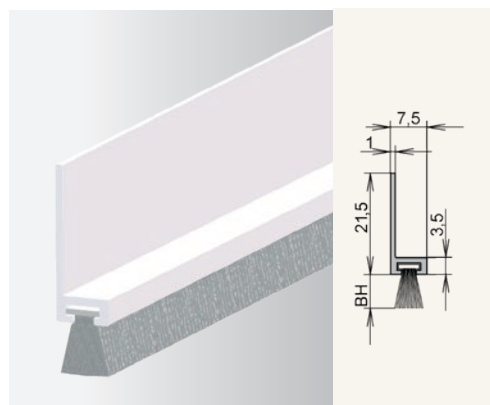
Type

Article number
Fixing
FB
FH
Brush material
Brush height (min./max.)
Max. length

KU III

- Carrier profile: Plastic, white or brown

	KU III white	KU III brown
Article number	332	333
Fixing	Screw-on	Screw-on
FB	7,5 mm	7,5 mm
FH	21 mm	21,5 mm
Brush material	Grey PP	Grey PP
Brush height (min./max.)	7 mm	7 mm
Max. length	2,400 mm	2,400 mm



SUPER brush seal

- Flexibly mounted
- Flat aluminium adhesive carrier profile

Technical data

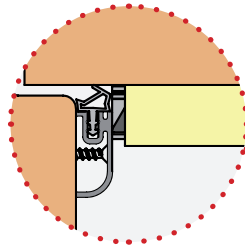
Fixing	Self-adhesive	
Colour	White aluminium housing RAL 9016, Sepia brown aluminium RAL 8014, powder-coated	
Standard lengths	1,000 mm	
Trim	15 mm, black horsehair	
Individual packaging	SB packaging / shrink wrap tubing	
Article number	33007 white	33008 brown





Applic Set "Allround seal"

- Sound insulation set for retrofitting
- Sealing set for retrofitting



Models

Schall-Ex® Applic A Set

Schall-Ex® Applic T Set

Article number

1-660 C-0	1-769 RAL 9016	1-770 C-34
--------------	-------------------	---------------

1-661

Plinth

Cover profile made of aluminium

Oak, untreated

Technicale data

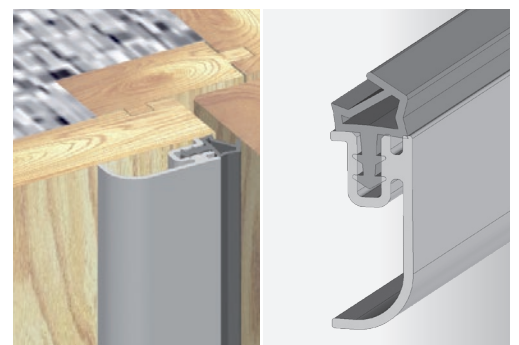
Set for a door up to
2 x 1 m comprising:

- Schall-Ex® Applic A
- 3-sided Unitherm FAS-20
(2 x 2.1 m, 1 x 1.05 m)

- Schall-Ex® Applic T
- 3-sided Unitherm FAS-20
(2 x 2.1 m, 1 x 1.05 m)

Unitherm FAS-20

- High tolerance compensation
- Also dampens the
sound of closing
- Sturdy aluminium carrier profile
- Silver C-0 / RAL 9016 finish
white / bronze C-34



Technical data

Length

2,100 mm

Article number

319 204 C-0	319208 RAL 9016	319205 C-34
----------------	--------------------	----------------

Sealing profile material

Permanently elastic TPE

Sealing profilecolour

Grey / brown / transparent

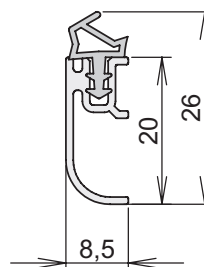
Holding railmaterial

Aluminium

Alternative
finishes

Anodisedsurfaces according to EURAS

Colour-coated as per RAL



Unitherm I

Seals and insulates existing doors



Unitherm II HG

Seals and insulates existing doors



Technical data

Standardlength	2,100 mm
Article number	319 200
Sealing profile material	TPE
Sealing profile colour	Brown
Holding rail material	Beechwood
Holding railcolour	Beech
	Further colours and profiles with a minimum of 800 m available upon request.

Standardlength	2,100 mm
Article number	319 000
Sealing profile material	PVC
Sealing profile colour	Transparent
Holding rail material	Beechwood
Holding railcolour	Beech
	Further colours and profiles with a minimum of 800 m available upon request.

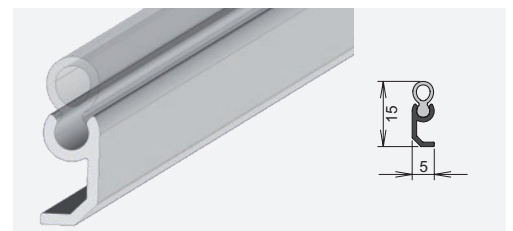
Unitherm II HK

Seals and insulates existing doors



Unitherm XIII

Seals and insulates existing doors



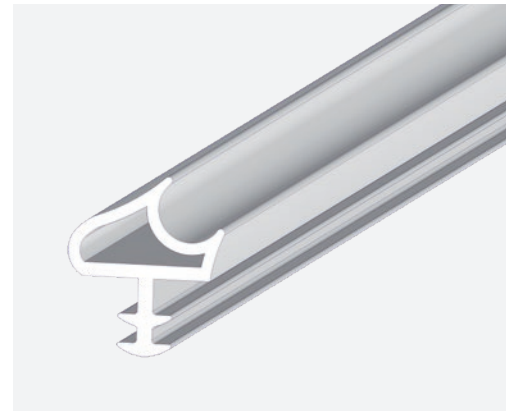
Technical data

Standardlength	2,100 mm
Article number	319 001
Sealing profile material	PVC
Sealing profile colour	Transparent
Holding rail material	Beechwood
	Further colours and profiles with a minimum of 800 m available upon request.

Standardlength	2,100 mm
Article number	319 080
Sealing profile material	PVC
Sealing profile colour	Transparent
Holding rail material	Aluminium
	Further colours and profiles with a minimum of 800 m available upon request.

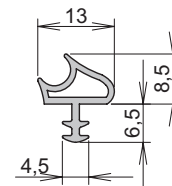
T-Dicht

- Acoustic door seal made of high-grade thermoplastic for wooden frames
- Sound insulation up to 48 dB



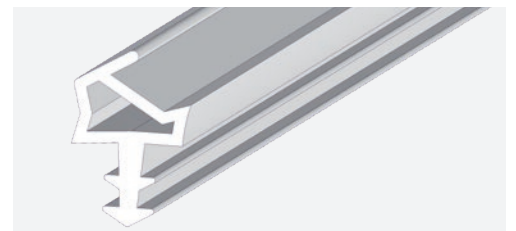
Technical data

Length / Bundle	25 m	
Article number	391 105	395 105
Material	TPE	
Colour	Brown	White
	Custom colours available starting at a length of 800 m	



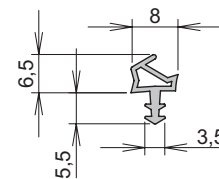
F-Dicht

- Especially suitable for doors and French doors



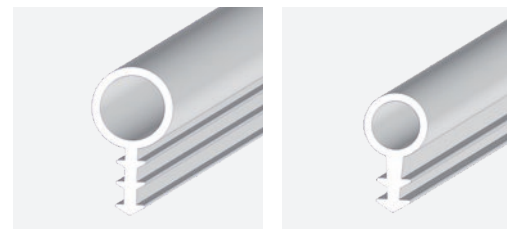
Technical data

Length / Bundle	25 m		
Article number	190 022	190 023	190 021
Material	TPE		
Colour	Grey	Clear	Brown



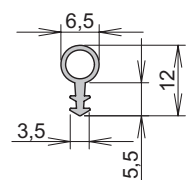
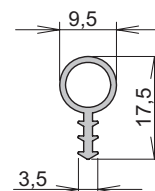
Sili I / Sili II

- Especially suitable for doors and French doors



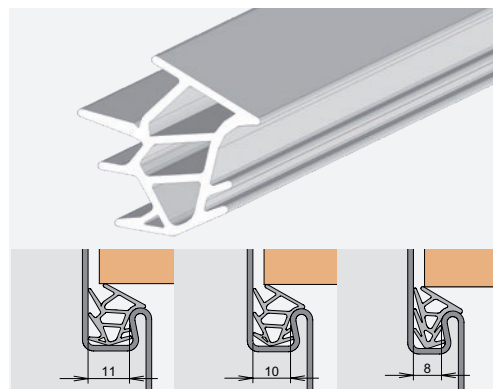
Technical data

Length / Bundle	50 m	50 m
Article number	150 001	150 002
Material	PVC	PVC
Colour	Transparent	Transparent



ZD Universal

- Ideal for dealers' stocks
- Steel frame seal for different groove widths
- As replacement for many well-known frame seal brands
- Groove width 11 mm
- Hinge diameter 3 - 7 mm



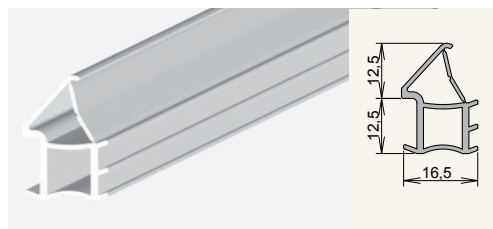
Technical data

Type
Article number
Length / Bundle measuring
Material
Colour

ZD Universal	ZD 370 025	ZD 370 235
370 300	370 025	370 235
5 m	5 m	5 m
TPE	TPE	TPE

Grey (Custom colours available starting at a length of 800 m)

ZD Slide - 12/12



Technical data

Standard length
Article number
Sealing profile material
Sealing profile colour

Available by themetre
210
Silicone
Grey

Unitherm Slide 22/22



2,000 mm	2,500 mm
319 050	319 051
Silicone + beechwood	
Grey	

Slide 5 for VHH



Technical data

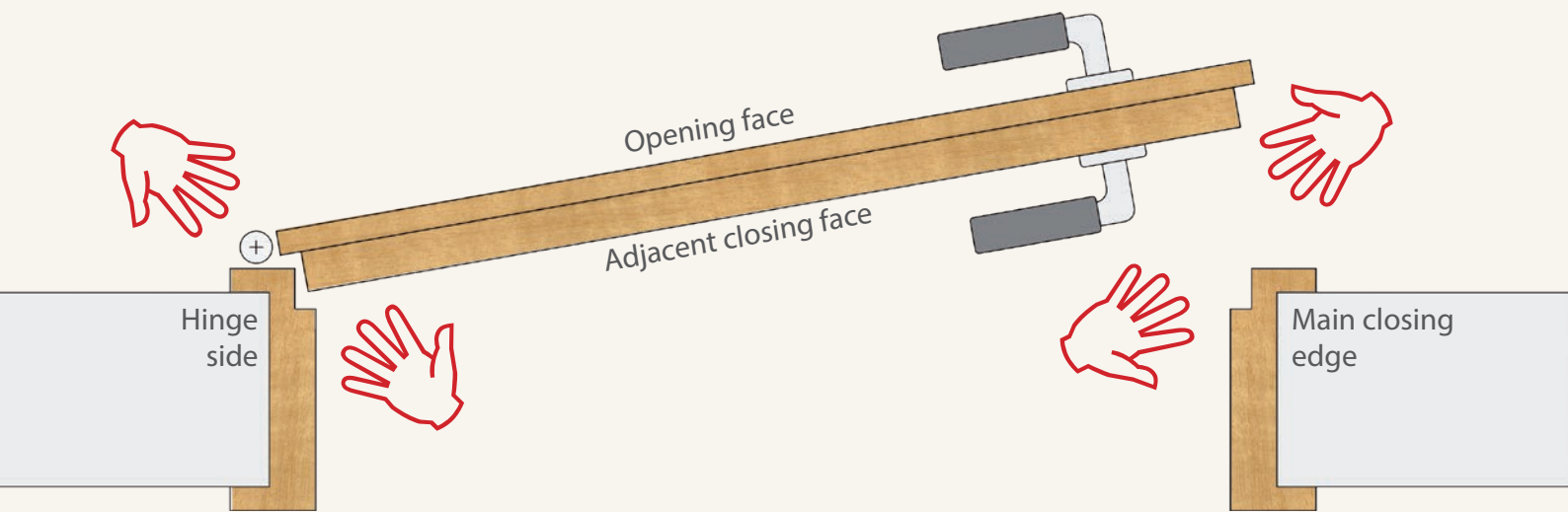
Standard length
Article number
Sealing profile material
Sealing profile colour

Available by themetre
284
Silicone
Grey

Slide VN - 8/10



Available by themetre
523
Silicone
Transparent



Effective prevention against fingers becoming trapped between the door leaf and the frame

Athmer finger protection systems have been preventing injuries for thirty years by effectively reducing the risk of fingers becoming accidentally trapped in doors.

Finger protection on doors

The use of finger protection systems lies in principle within the responsibility of the operator of the premises. The operator makes a decision on the products depending on the door users and the spatial conditions, then determining the position of installation. Especially for the following applications and areas, specific rules and regulations apply:

Finger protection in child daycare centres

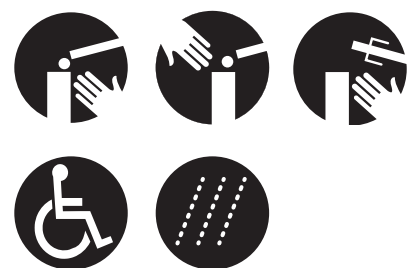
The German Accident Prevention Regulation (Unfall-Verhütungs-Vorschrift, UVV, DGUV Vorschrift 82 Kindertageseinrichtungen §13 [3]) presents architects, planners and builders of daycare facilities with new challenges. It specifies among other things in § 13 (3): "Shearing points must be avoided on the hinge side of doors." Our Athmer Fingerschutz® products offer the ideal solution.

Finger protection for fire doors

Athmer finger protection systems are also suitable for use with fire doors and smoke protection doors. The door manufacturer must authorise the finger protection and have it registered in the general building authority approval for the respective door (German: allgemeine bauaufsichtliche Zulassung, abZ). Athmer provides support to door manufacturers in doing so.

For retrofitting, deviance from this regulation is only possible with permission from the building supervisory authority/fire authority. In the absence of regulations, there is currently no possibility to obtain general approval for finger protection systems.

Further information can be found at:
www.athmer-fingerschutz.de





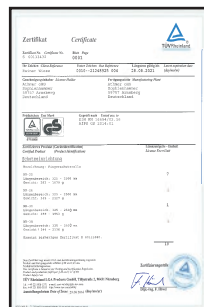
Product family

Athmer Fingerschutz®

for the hinge side on the closing face

- Reliably covers the gap between the door leaf and the door frame
- Maintenance free
- Easy to clean
- Supply package includes accessories
- Aluminium profiles
- Opening face protective profiles are suitable for complete finger protection at the closing edge
- Retrofittable
- Available in fixed and standard lengths
- Individual choice of colours

Tested quality



www.tuv.com
ID 1111209685

- Test certificates available upon request or online at:
www.athmer-fingerschutz.de



www.tuv.com
ID 1111209885

NEW - NR-32 UniSafe® sets new standards

With the NR-32 UniSafe® Athmer has developed a new finger protection system which proves itself through unique design, more safety and many additional features.

SAFETY in use

- Enhanced protection due to improved door gap cover and blunted profile edges
With tamper-proof KLIICK system and robust housing

One DESIGN for all applications

- Integration in existing inner architectures and door designs for continuous design throughout the building, for indoor and outdoor use

KLIICK system for fast and secure installation/deinstallation

- Time-saving installation with only a few attachment points
- Easy replacement of damaged finger protection systems

INSTALLATION IN COMMERCIAL PROJECTS in two stages

- Delivery and installation of the fixing rails and finger protection at time-shifted intervals prevents damage to the product during the construction phase

ADAPTATION to panic fittings can easily be provided on site

- The carrier profile is equipped as standard for this purpose and can be easily inserted and disengaged from existing hardware systems, e.g. push bar, touch bar, ram protection bar, etc.

RAM PROTECTION for demanding environments (e.g. hospitals, airports)

- Force-deflecting element as additional protection for the door and frame

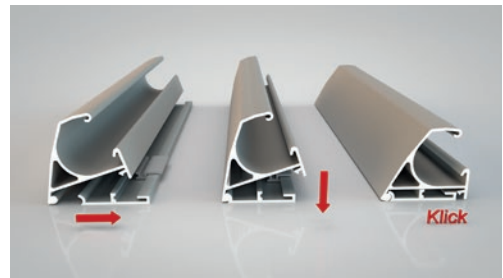
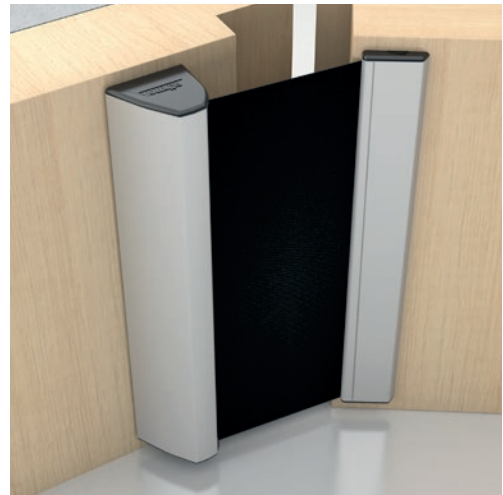
MAINTENANCE and CLEANING through simple unlocking

- Problem-free hinge maintenance, seal adjustment possible

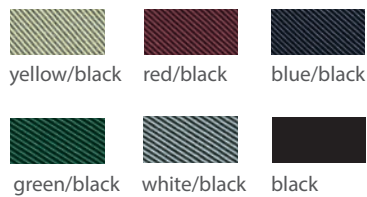
NR-32 UniSafe®

- Easy to install and dismantle
- One design for all applications
- KLICK system with concealed screws
- Protective roller blind automatically maintains constant tension
- Flexible choice of colours
- Fabric made of fire-retardant synthetic fibre, black as standard

- Optional: **NR-32 UniSafe® XL** with 320 mm travel length for:
 - Fabric, black
 - Fabric, w-proof variant
- Optional: **Ram protection** in the lengths 500 mm, 960 mm, 1,923 mm

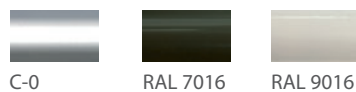


Fabric colour



Further colours on request.

Standard profile colours without additional cost

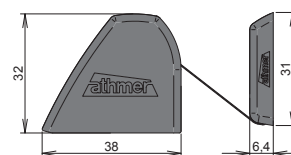
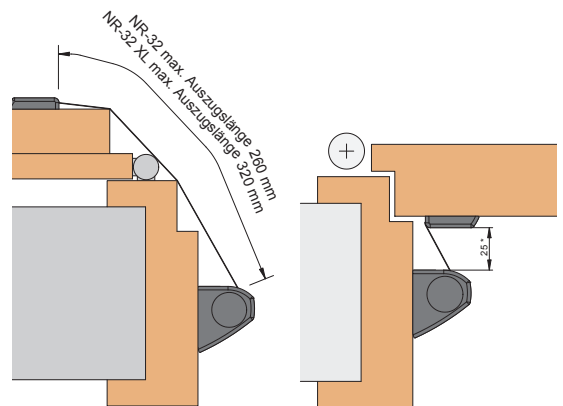


Special profile colours



Technical data

Reduction in door clearancewidth	32 mm
Max. Lengths	3,000 mm
Standard length*	1,925 mm / 2,050 mm
Length for power-operated doors**	2,000 mm / 2,500 mm
Minimum length	325 mm
Fixed lengths	Available
Can be shortened by	-



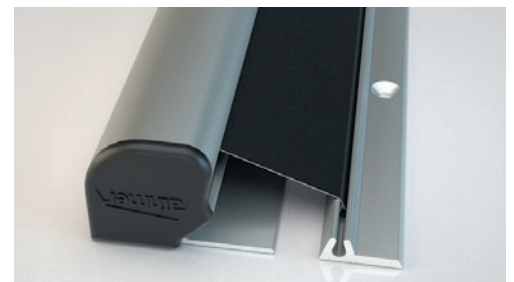
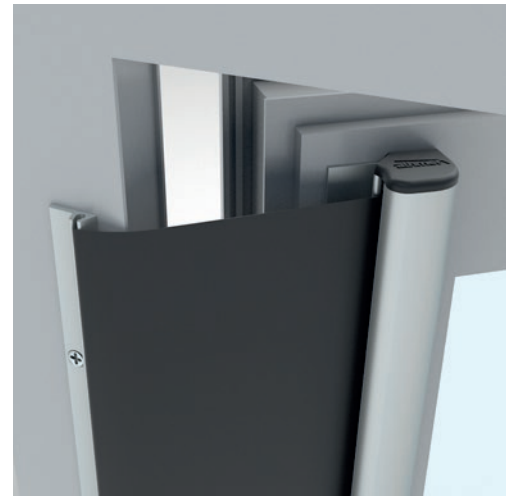
* Length supplied for standard doors in accordance with DIN 18101 with BR2000 and BR2125.
 ** According to EN 16005 - Power-operated doors - Safety in use



NR-26 w-proof

- Protective roller blind
- Protective roller blind
- Weatherproof
- Temperature range -20 to +50 °C
- - Resistant to rain, snow, frost, foliage, dirt and UV light
- Extremely compact and robust design
- Concealed screws on the blind side
- Flexible choice of colours
- Fire retardant synthetic fibre cover
- Synthetic fibre

Verified long-term reliability 200,000
 Travel length: 260 mm

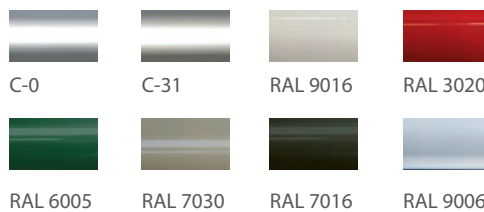


Fabric colour



anthracite

Profile colour

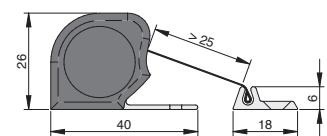
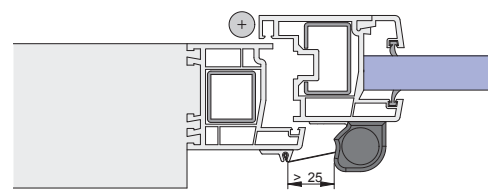
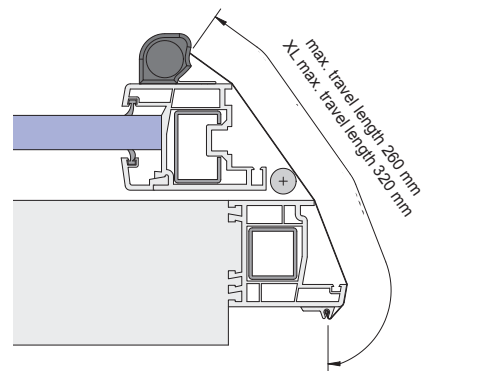


Further colours on request.

Technical data

Reduction in door clearancewidth	26 mm
Max. Lengths	2,500 mm
Standard length*	1,925 mm
Length for power-operated doors	2,015 mm
Minimum length	325 mm
Fixed lengths	Available
Can be shortened by	-
Standard accessories	5830
Accessories for wooden frames**	5831

* Length supplied for standard doors in accordance with DIN 18101 with BR2000. For doors with BR2125, we recommend that you order a length of 2,050 mm.
 **Optional multi-use drill with Ø 3 mm, art. no. 5127



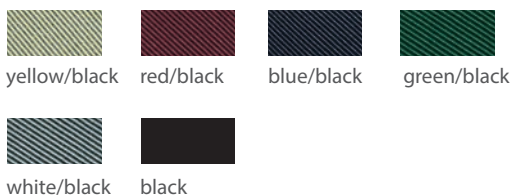


NR-30

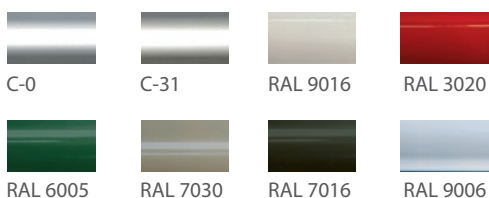
- Easy to install and dismantle
 - Protective roller blind automatically maintains constant tension
 - Innovative design
 - Flexible choice of colours
 - Concealed snap-on fastening
 - Fire retardant synthetic fibre cover
- Synthetic fibre
- Optional: **NR-30 XL** with 320 mm travel length, black fabric
 - **NEW TOOLBOX** for fast and easy assembly
- Verified long-term reliability: 1,000,000
Travel length: 260 mm



Fabric colour



Profile colour



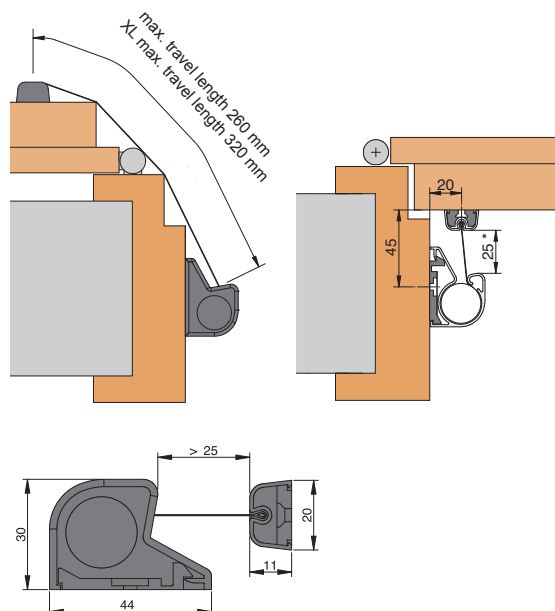
Further colours on request.

Technical data

Reduction in door clearancewidth	30 mm
Max. Lengths	2,500 mm
Standard length*	1,925 mm
Length for power-operated doors	2,015 mm
Minimum length	325 mm
Fixed lengths	Available
Can be shortened by	-
Standard accessories	5825
Accessories for metal door frames**	5125

* Length supplied for standard doors in accordance with DIN 18101 with BR2000. For doors with BR2125, we recommend that you order a length of 2,050 mm.

**Optional multi-use drill with Ø 3 mm, art. no. 5127





NR-38

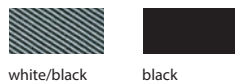
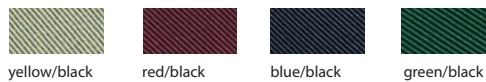
- Protective roller blind
 - automatically maintains constant tension
 - Concealed screws on the blind side
 - For mounting on wrap-around frames with a reveal depth from 60 mm
 - Ergonomic shape
 - Fire retardant synthetic fibre cover
- Synthetic fibre
- Optional: **NR-38 XL** with 320 mm travel length, black fabric

Verified long-term reliability: 1,000,000

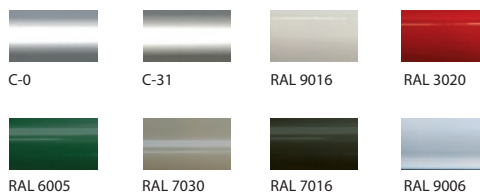
Travel length: 260 mm



Fabric colour



Profile colour

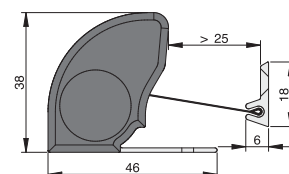
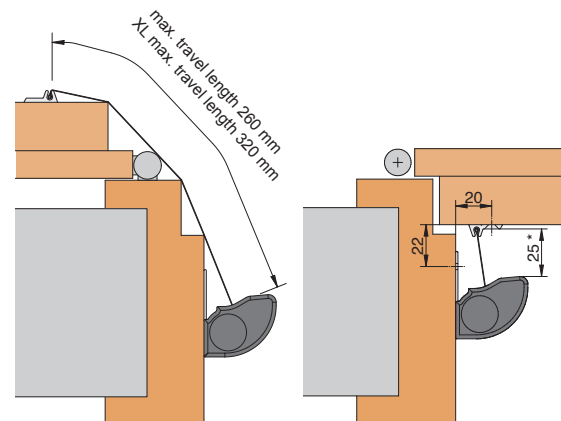


Further colours on request.

Technical data

Reduction in door clearancewidth	38 mm
Max. Lengths	2,500 mm
Standard length*	1,925 mm
Length for power-operated doors	2,015 mm
Minimum length	325 mm
Fixed lengths	Available
Can be shortened by	-
Standard accessories	5823
Accessories for metal door frames**	5125

* Length supplied for standard doors in accordance with DIN 18101 with BR2000. For doors with BR2125, we recommend that you order a length of 2,050 mm.
 **Optional multi-use drill with Ø 3 mm, art. no. 5127





NR-25

- Proven protective system for decades
 - Compact form
 - Optional version for fitting to glass doors
 - Protective roller blind automatically maintains constant tension
 - Fire retardant synthetic fibre cover
- Synthetic fibre

Verified long-term reliability: 1,000,000

Travel length: 260 mm



Fabric colour



black

Profile colour



C-0



C-31



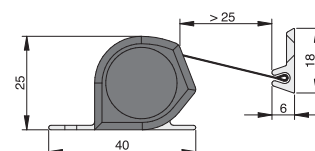
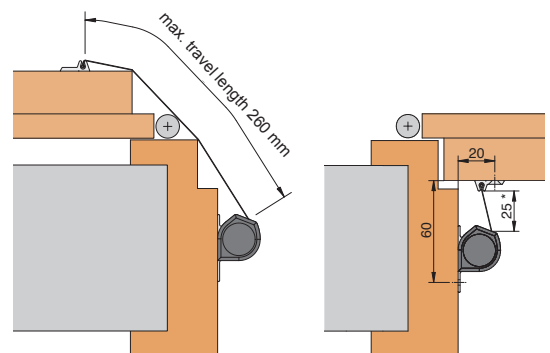
RAL 9016

Further colours on request.

Technical data

Reduction in door clearancewidth	25 mm
Max. Lengths	2,500 mm
Standard length*	1,925 mm
Length for power-operated doors	2,015 mm
Minimum length	325 mm
Fixed lengths	Available
Can be shortened by	-
Standard accessories	5823
Accessories for metal door frames**	5125

* Length supplied for standard doors in accordance with DIN 18101 with BR2000. For doors with BR2125, we recommend that you order a length of 2,050 mm.
**Optional multi-use drill with \varnothing 3 mm, art. no. 5127





NA-7

- Cover made of special plastic
- Particularly flat design
- Suitable for door leaf thicknesses up to 42 mm, a door opening limiter can be used if required



Verified long-term reliability: 200,000

Travel length: 125 mm

Cover colour



Platinum grey RAL 7036

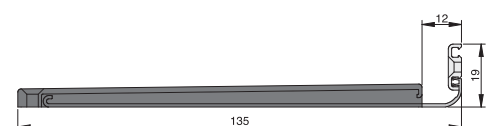
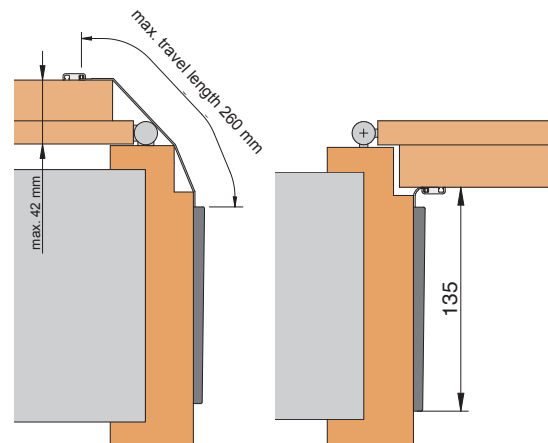
Profile colour



C-0

Technical data

Reduction in Frame clearcancewidth	7 mm
Maximum length	2,500 mm
Standard length*	1,943 mm
Minimum length	None
Fixed lengths	Available
Can be shortened by	✓
Standard accessories	5940
Accessories for metal door frames**	5125



Athmer Fingerschutz® on automatic doors

Tested in accordance with EN 16005

Power-operated doors must open and close safely in order to ensure safety in use. For this purpose, a risk assessment must be carried out by the manufacturer of the door system during planning. Possible crushing and shearing hazard points must be identified and eliminated. For this reason, EN 16005 stipulates that the hinge side must be safeguarded on principle up to a height of 2,000 mm.

Retrofitting of existing doors according to ASR A1.7

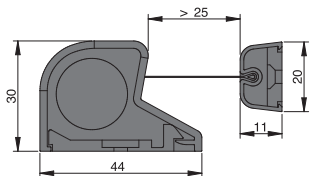
If during regular maintenance by the service technician it is determined that protective devices are missing or do not correspond to the current state of the art, this must be entered in the test logbook and communicated to the operator. In order to comply with the workplace regulation ASR A1.7, the operator must also retrofit any existing doors with critical safety standards. If this is not done, the operator bears the risk of an accident.



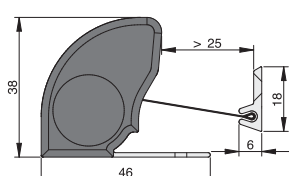
- Standard length for automatic doors: 2,015 mm (NR-32: 2,000 mm)



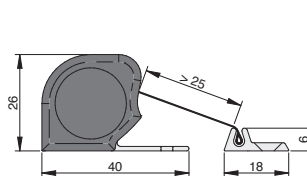
NR-30



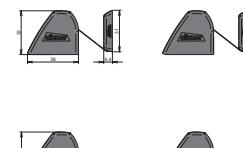
NR-38



NR-26 w-proof



NEW! NR-32 UniSafe®



Opening side protective profiles

Protective profiles are suitable for safeguarding the hinge side of opening faces.

We recommend these in the form of sets in individual lengths.

- Suitable for outdoor use
- Can be shortened
- Flexible choice of colours

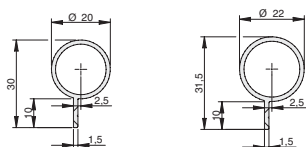


BO

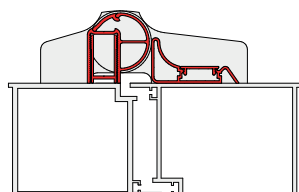
NEW: BA-28

BU-K

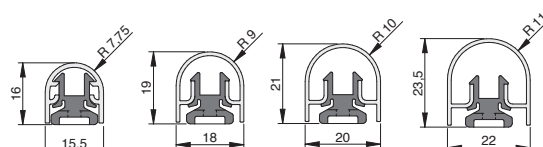
BO-20, BO-22



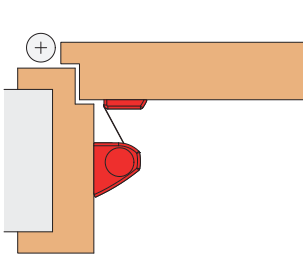
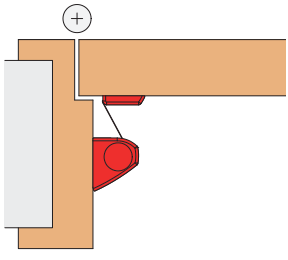
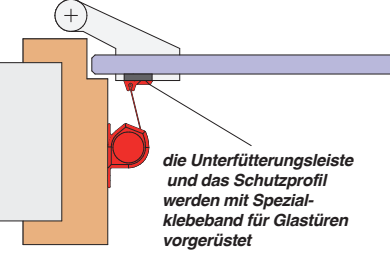
BA-28

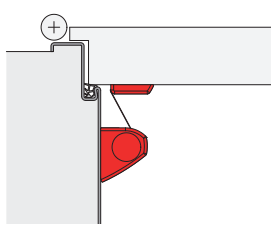
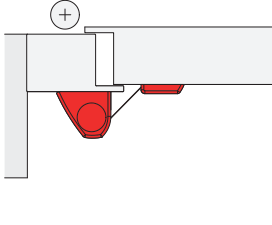
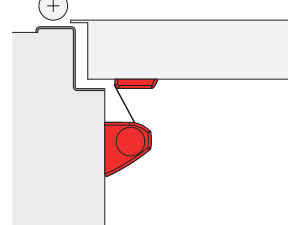


BU-16K, BU-18K, BU-20K, BU-22K



6. Athmer Fingerschutz® Examples of use

Frame	Wooden wrap-around frame	Wooden wrap-around frame	Wooden wrap-around frame
Door leaf	Wood, with rebate	Wood, without rebate	All-glass
Door geometry			
Type NR-38	✓	✓	✓
NR-32 UniSafe®	✓	✓	✓
Type NR-30	✓	✓	✓
Type NR-26	-	-	-
Type NR-25	✓	✓	✓
Type NA-7	✓	✓	-

Frame	Steel wrap-around frame	Steel frame	Z frame
Door leaf	Steel, with rebate	Steel, flush fit	Steel
Door geometry			
Type NR-38	✓	✓	✓
NR-32 UniSafe®	✓	✓	✓
Type NR-30	✓	✓	✓
Type NR-26	-	-	-
Type NR-25	✓	✓	✓
Type NA-7	✓	-	✓

For further applications, refer to:
Product selector at www.athmer-fingerschutz.de



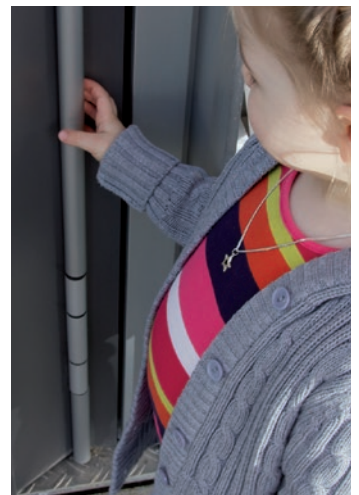
Product family



Opening side protective profiles

for the hinge side of the opening face

- Opening face protective profiles safeguard the gap between the door leaf and the frame reliably on the opening face.
- Suitable for retrofitting
- Maintenance free
- Aluminium profiles anodised or colour coated
- Suitable for outdoor use
- Fixed lengths available
- For all hinge diameters
- Available as a set for installation under, between and above the hinges



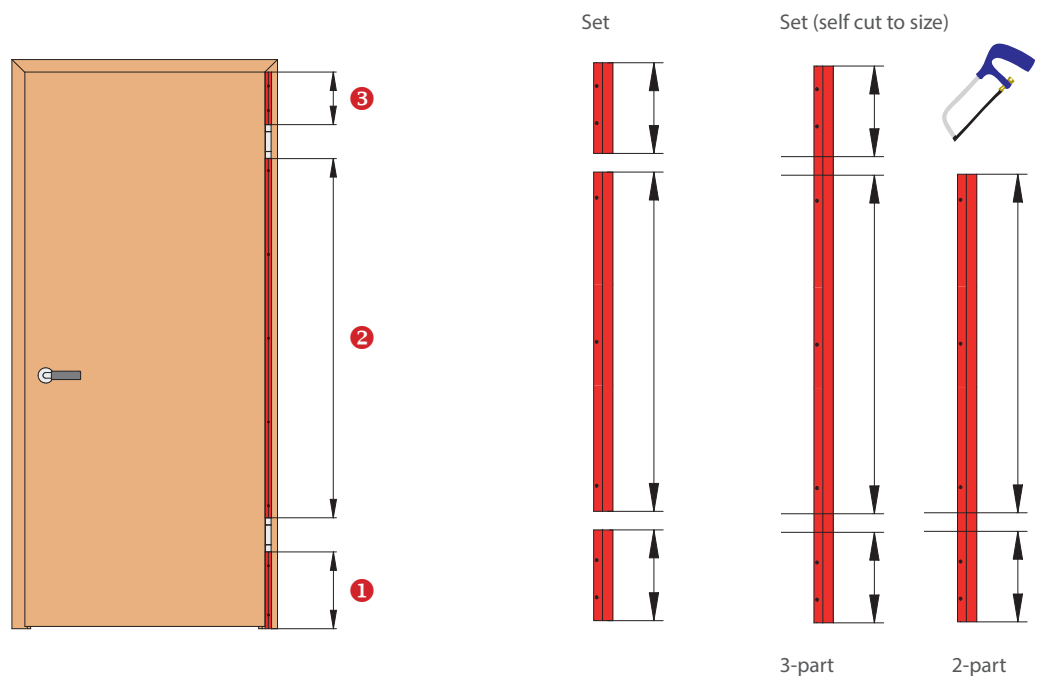


Sets

- Surface finish: Anodised aluminium or colour coated
- Also available as a set, comprising:
 - Profile 1: below the lower hinge
 - Profile 2: between the hinges
 - Profile 3 (optional): above the upper hinge
- No cutting required on site
- Easy to install

Sets for self cutting to size

- 2-part for safeguarding between and below the hinges
- 3-part for safeguarding between, above and below the hinges
- For doors from 2.11 m



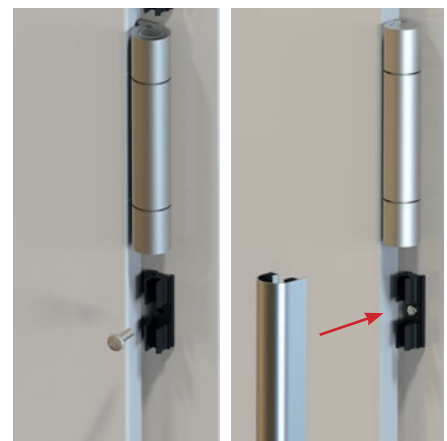
Technical data for sets

Sets

Fixed lengths for profile 1 / 2 / 3

Snap-on fastening for BU-K profiles

- Concealed fastening
- Easy to install
- For rebated doors
- 3 clips per bag of accessories
Art. no. 5431
- Particularly suitable for metal frames
with additional accessories



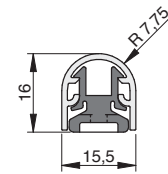
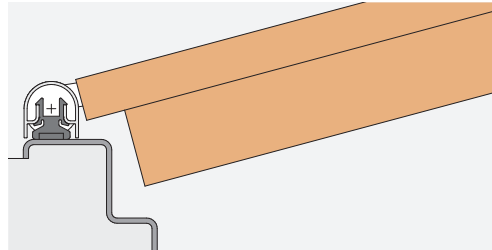


BU-K

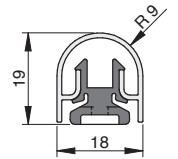
Protective profiles for rebated doors

- Concealed snap-on fastening
- for wooden and metal frames
- Ø15 - 24mm hinge

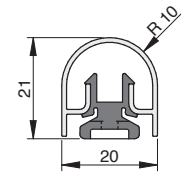
Application



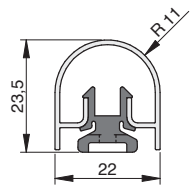
BU-16K



BU-18K



BU-20K

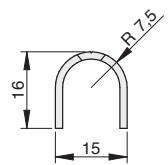
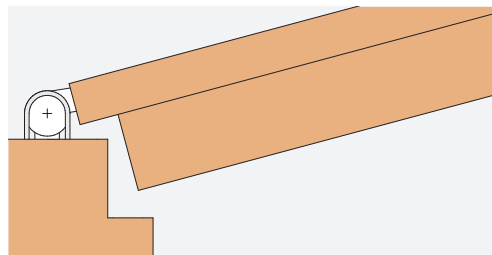


BU-22K

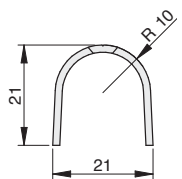
BU

Protective profiles for rebated doors

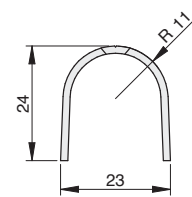
- For wooden frames
- Ø15 - 24mm hinge



BU-16



BU-20

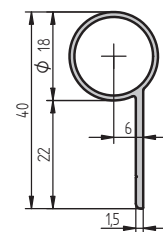
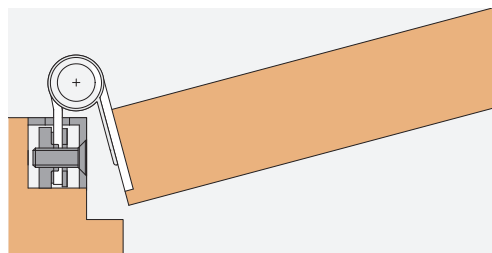


BU-22

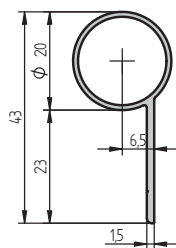
BD+

Protective profiles for doors without rebate with hinges for adjustable retainer elements

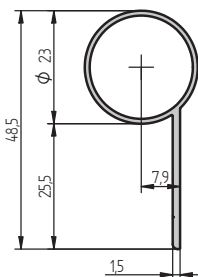
- Ø15 - 24mm hinge



BD+-18



BD+-20

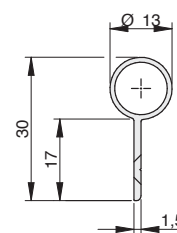
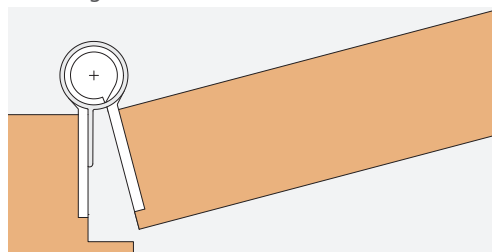


BD+-23

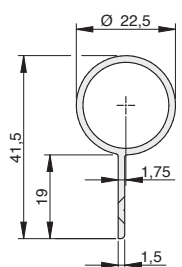
BO

Protective profiles for doors without rebate with screw-on flap hinges

- Hinge Ø12 - 14mm, 22 - 24mm



BO-13



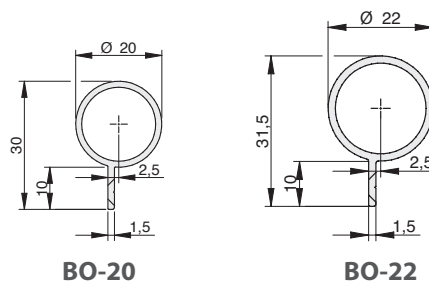
BO-23



BO

Protective profiles for doors with flush fit profile doors

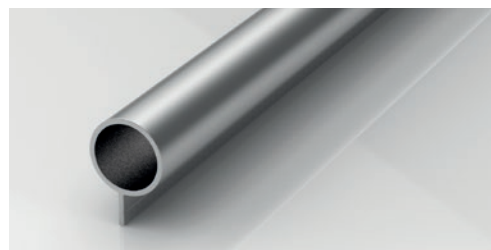
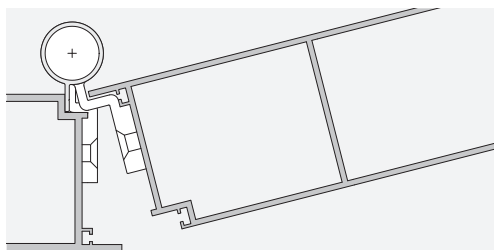
- Ø15 - 23mm hinge



BO-20

BO-22

Application



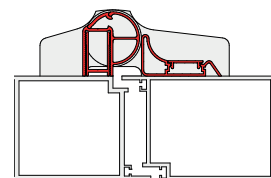
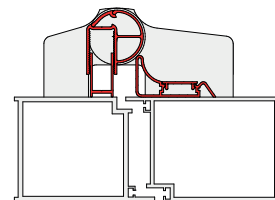
BA-28

Protective system BA-28 for surface-mounted hinges on metal doors

- Variable adjustment
- Standard colour: silver anodised C-0; individual colours available
- Concealed screw fixing

Technical data:

Suitable for pivotal points from 20-36 mm.
Length supplied: 1,900 mm, can be shortened



BA-22

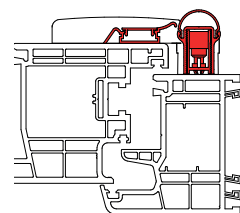
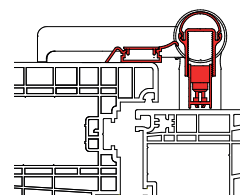
Protective system BA-22 for surface-mounted hinges on plastic doors

- Variable adjustment
- Standard colour: white RAL 9016; individual colours available
- Concealed screw fixing

Technical data:

Suitable for overlap dimensions of 13-28 mm and hinge diameters from 21-26 mm.

Length supplied: 1,900 mm, can be shortened

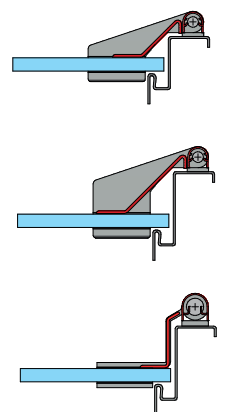
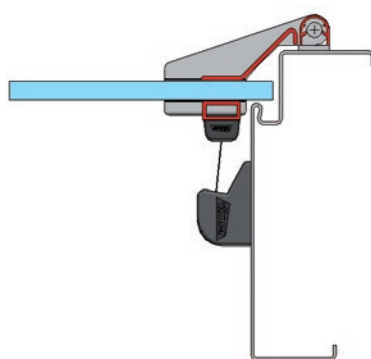




Athmer Fingerschutz® System solution

for retrofitting all-glass doors

- Suitable for all conventional all-glass door hinges
- A combination of Athmer Fingerschutz® NR-30 or NR-25 and the new protective profile
For all-glass doors
- Suitable for wooden or metal frames, and glass side elements
- Colour matched to door fittings
- Fixed lengths available
- Standard colour: C-0 and C-31
- The spacer rail and the protective profile are pre-fitted with special adhesive tape for glass doors



Hinge Ø 15 - 16 mm	BU-16K	BU-16	BU-16K + BO-23	Surface-mounted hinge	BA-28
	<p>e.g. V 0020</p>	<p>e.g. V 3420</p>	<p>e.g. V 0087</p>		
Hinge Ø 18 mm	BU-18K	BD ⁺ -18	Narrow frame surface	Surface-mounted hinge	BU-18K
	<p>e.g. VX 7939/160 18-3</p>	<p>e.g. VX 7729/160 18-3</p>			
Hinge Ø 20 mm	BU-20K	BD ⁺ -23	BD ⁺ -20	Surface-mounted hinge	BA-22
	<p>e.g. VX 7939/100</p>	<p>e.g. VN 8849/100</p>	<p>e.g. VX 7729/100</p>		<p>Hinge diameter 21 - 26 mm</p>
Hinge Ø 22 - 24 mm	BU-22K	BO-23	BD ⁺ -23	BD ⁺ -23	BO-22
	<p>e.g. VX 7939/160</p>	<p>e.g. VN 2929/160</p>	<p>e.g. VX 7728/160</p>	<p>e.g. VX 7859/160</p>	<p>Hinge diameter 22 mm</p>

Please note:

↪ Our illustrations show standardised installation situations. Please check your particular installation situation on site.



Application

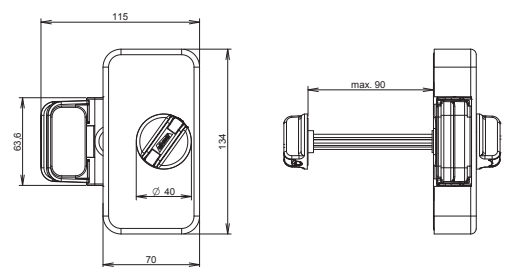
The new HS-25 for main closing edges

Door stop with active finger protection

- Prevention of trapping and shearing points
- Prevents accidental closing of doors
- Permanent protective function through automatic activation when door is opened
- Manual unlocking possible for both sides of the door
- Knob optionally replaceable with any knob that matches the door element
- Ideal for use in crèches and child daycare centres:
 - U3 zone
 - Heavy doors
 - Doors with heavy footfall
 - Doors with door closer (e.g. in toilets)

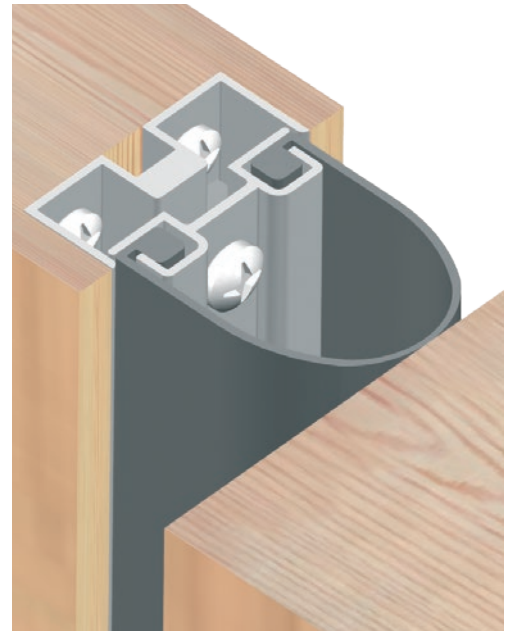
Technical data:

- For wooden hinged doors
- Suitable for rebated or non-rebated doors
- For DIN right/left doors
- Screw-fixed to the closing surface of the door panel
- Variable installation height - Recommend minimum height of 1.70 m
- Maximum door leaf thickness 90 mm
- Flexible choice of colours

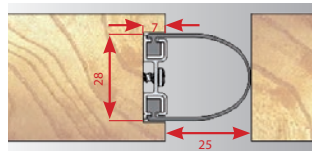


SwingGUARD

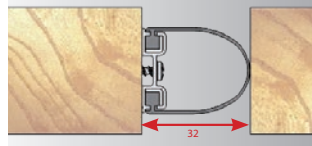
- A for safeguarding and sealing double-swing doors, revolving doors and sliding doors with a track stop or soft-close system
- Concealed fixing
- Quick and easy installation
- Inset or surface-mounted, as required
- Sealing profile made of wear-resistant silicone



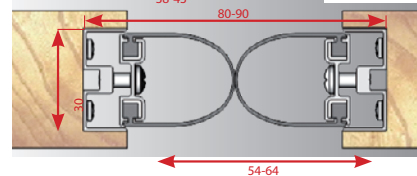
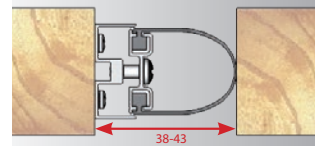
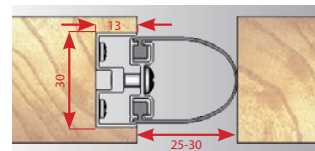
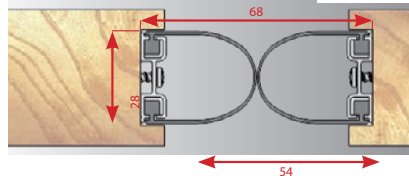
Inset



Surface-mounted

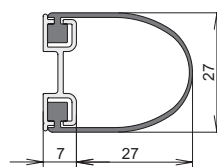


Double-wing, inset

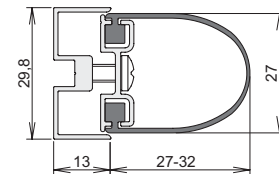


Cross sections

SwingGUARD A



SwingGUARD S



Technical data

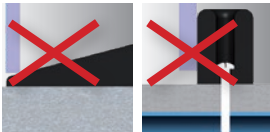
Tolerancecompensation	-
Max. delivery length	On request
Standard length	2,120 mm
Minimum length	None
Fixed lengths	Available
Can be shortened by	✓
Sealing profile	Silicone, RAL 7043
Profile material	Aluminium

Tolerancecompensation	vertically up to 5 mm
Max. delivery length	On request
Standard length	2,120 mm
Minimum length	None
Fixed lengths	Available
Can be shortened by	✓
Sealing profile	Silicone, RAL 7043
Profile material	Aluminium

7. Door opening restrictor for wooden and glass doors



Advantages



The new Porti® family

For wooden and glass doors

- Prevents hazards and damage caused by doors swinging back
 - Adaptive damping protects the door leaf and frame
 - Uniquely space-saving, design-oriented
 - Easy to install
 - For retrofitting to metal door frames
 - Tripping hazards and unevenness are prevented
 - Ideal for areas with stringent hygienic requirements, and where appearance matters
 - Ideal for use in hotels, offices and doctors' surgeries
 - Excellent for floors with underfloor heating
- No drilling necessary in the floor for door stops

Frame
Weight of door leaf
For retrofitting
Article number

Porti® for wooden doors						Porti® for glass doors	
Hinge width 720 - 1,110 mm			Hinge width 610 - 719 mm			Hinge width 709 - 959 mm	
Metal / wood*	Wood	Metal frame	Metal / wood*	Wood	Metal frame	Wood	Metal frame
30 kg	65 kg	65 kg	30 kg	65 kg	65 kg	50 kg	50 kg
x		x	x		x		x
5312	5489	5371	5313	5465	5379	5487	5318
* Suitable for solid wood door frames only			* Suitable for solid wood door frames only				



PORTI® for wooden doors

- Maximum door leaf weight up to 65 kg
- Particularly thin lever of only 2 mm
- Restrictor plate 15.8 x 12 mm
- Upper door frame gap 4 - 10 mm
- Endurance tested
on the basis of DIN EN 13126-5
Meets class 4
- Door opening angle max. 120°
- The choice of hinge should take account of
the load exerted by the door opening
restrictor

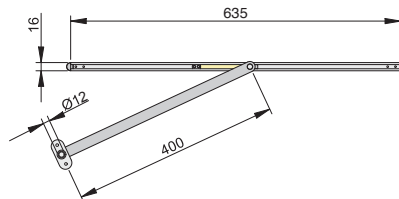


Application

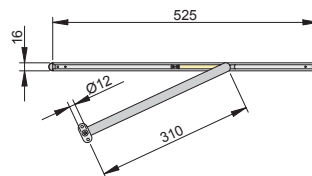
Up to 30 kg door leaf weight

- Retrofittable to solid wood and metal door frames
- For door leaf widths of:

720 mm - 1,110 mm, art. no. 5312



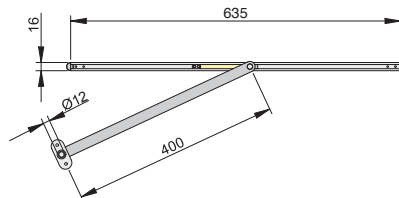
610 mm - 719 mm, art. no. 5313



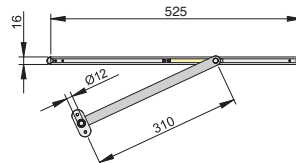
Up to 65 kg door leaf weight

- Retrofittable to metal door frames
- For door leaf widths of:

720 mm - 1,110 mm, art. no. 5371

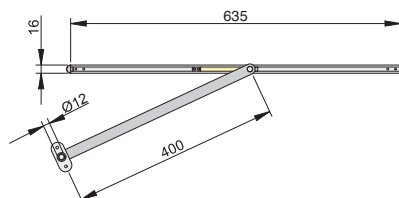


610 mm - 719 mm, art. no. 5379

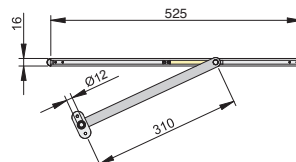


- Set-up possible on wooden frames with a fixing element in the door frame (see next page)
- For door leaf widths of:

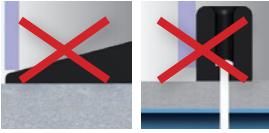
720 mm - 1,110 mm, art. no. 5489



610 mm - 719 mm, art. no. 5465



7. Door opening restrictor for glass doors



Technical data

PORTI® for glass doors

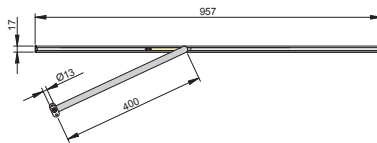
- Maximum door leaf weight up to 50 kg
- Silver-coloured, anodised
- Slide plate bonded to glass door leaf
- Upper door frame gap 4 - 10 mm
- Particularly thin lever of only 2 mm
- Restrictor plate 16.8 x 12.2 mm
- Endurance tested on the basis of DIN EN 13126-5 Meets class 4
- Door opening angle max. 120°
- The use of sandblasted glass doors is not recommended
- Suitable for doors made of 8 / 10 / 12 mm ESG and also for LSG made from ESG
- 10 mm ESG recommended with Office hinges and adjustable hinge retainer



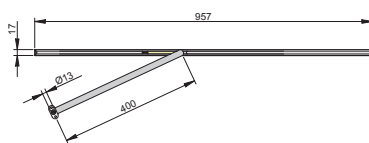
Application

Up to 50 kg door leaf weight

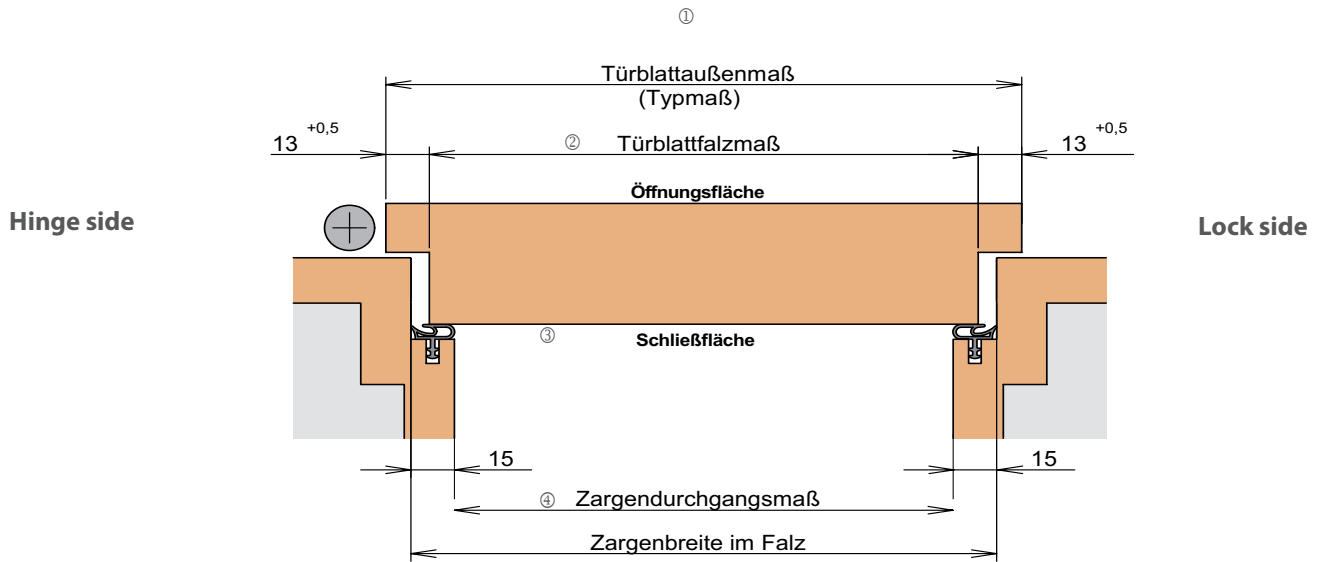
- Retrofittable to metal door frames
- For door leaf widths of:
709 mm - 959 mm, art. no. 5318



- Set-up possible on wooden frames with **fixing element**
- For door leaf widths of:
709 mm - 959 mm, art. no. 5487

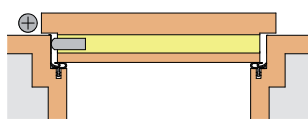


Seal lengths for doors as per DIN 18101

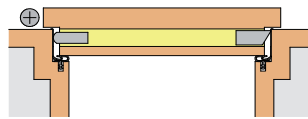


① External dimension of door leaf (standard dimension)	610	735	860	985	1.110	1.235	1.360	Permissible deviation
(BRM, DIN 18111)	625	750	875	1,000	1,125	1,250	1,375	-
② Door leaf rebate dimension	584	709	834	959	1,084	1,209	1,334	+1/-1
Door seal lengths available for automatic door and tilt seals	583	708	833	958	1,083	1,208	1,333	+0/-1
③ Door frame rebate width	591	716	841	966	1,091	1,216	1,341	+1/-1
Threshold length	590	715	840	965	1,090	1,215	1,340	+0/-1
④ Door clearance width	561	686	811	936	1061	1186	1311	+1/-1
Door seal lengths available for Wind-Ex, Wind-Ex A, Wind-Ex RTK / US	-	735	860	985	1,110	-	-	-
Door seal lengths available Schall-Ex® Applic A + T Schall-Ex® L-15 FS			805	930	1,055			
Note	Fixed lengths can be shortened to the next-smallest available delivery length. Schall-Ex® Jumbo can be shortened by not more than 60 mm.							All dimensions in mm.

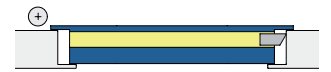
Possible fixing variations



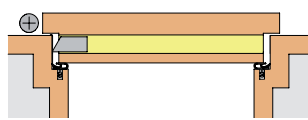
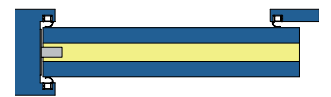
- Installation: in the groove
- Actuator: hinge side



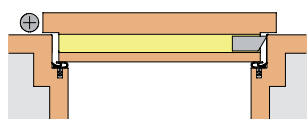
- Installation: in the groove
- Actuator: hinge side and lock side



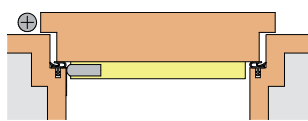
- Installation: in the groove
- Actuator: hinge side and lock side



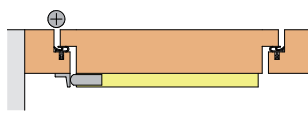
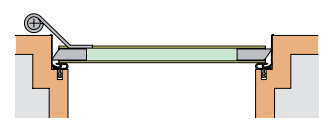
- Installation: in the groove
- Actuator: hinge side



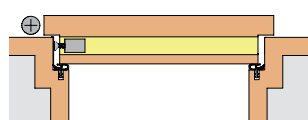
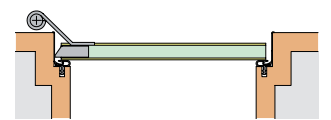
- Installation: in the groove
- Actuator: Lock side



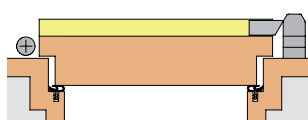
- Installation: screw-fixed to the closing surface
- Actuator: hinge side



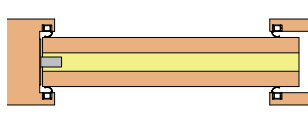
- Installation: screw-fixed to the closing surface
- Actuator: Hinge side with angle pressure bracket



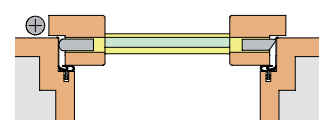
- Installation: in the groove
- Actuator: hinge side



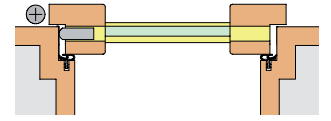
- Installation: screw-fixed to the opening surface
- Actuator: Lock side with pressure block



- Installation: in the groove
- Actuator: Lock side



- Installation: screw-fixed to the closing surface
- Actuator: Lock side



- Installation: in the groove
- Actuator: Cable actuator

Symbols

Actuator: hinge side



Barrier-free access

Actuator: Lock side



“Ü” sign of compliance

Actuator: Lock side



Acoustic protection

Installation: on the opening surface



Smoke control

Actuator: hinge side and lock side



Fire protection

Installation: on the opening surface

Actuator: hinge side



Low actuation forces

Installation: under the door leaf

Actuator: hinge side and lock side



Tool-free installation

Installation: under the door leaf

Actuator: hinge side



Downpour-proof/ w-proof

Installation: on the opening surface

Actuator: Lock side



Tool-free installation

Installation: under the door leaf

Actuator: Lock side



Secondary closing edge / opening face

Installation: in the groove / under the door leaf

Actuator: hinge side and lock side



Secondary closing edge / adjacent closing face

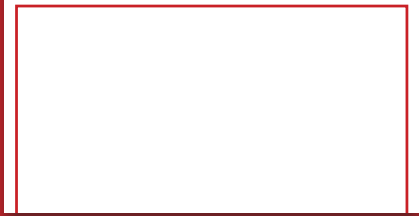
Installation: in the groove / under the door leaf

Actuator: hinge side



Main closing edge / adjacent closing face

Installation: in the groove / under the door leaf



Athmer oHG

Sophienhammer
59757 Arnsberg-Müschede

Tel. +49 2932 477-500
Fax +49 2932 477-100

info@athmer.de
www.athmer.de

