

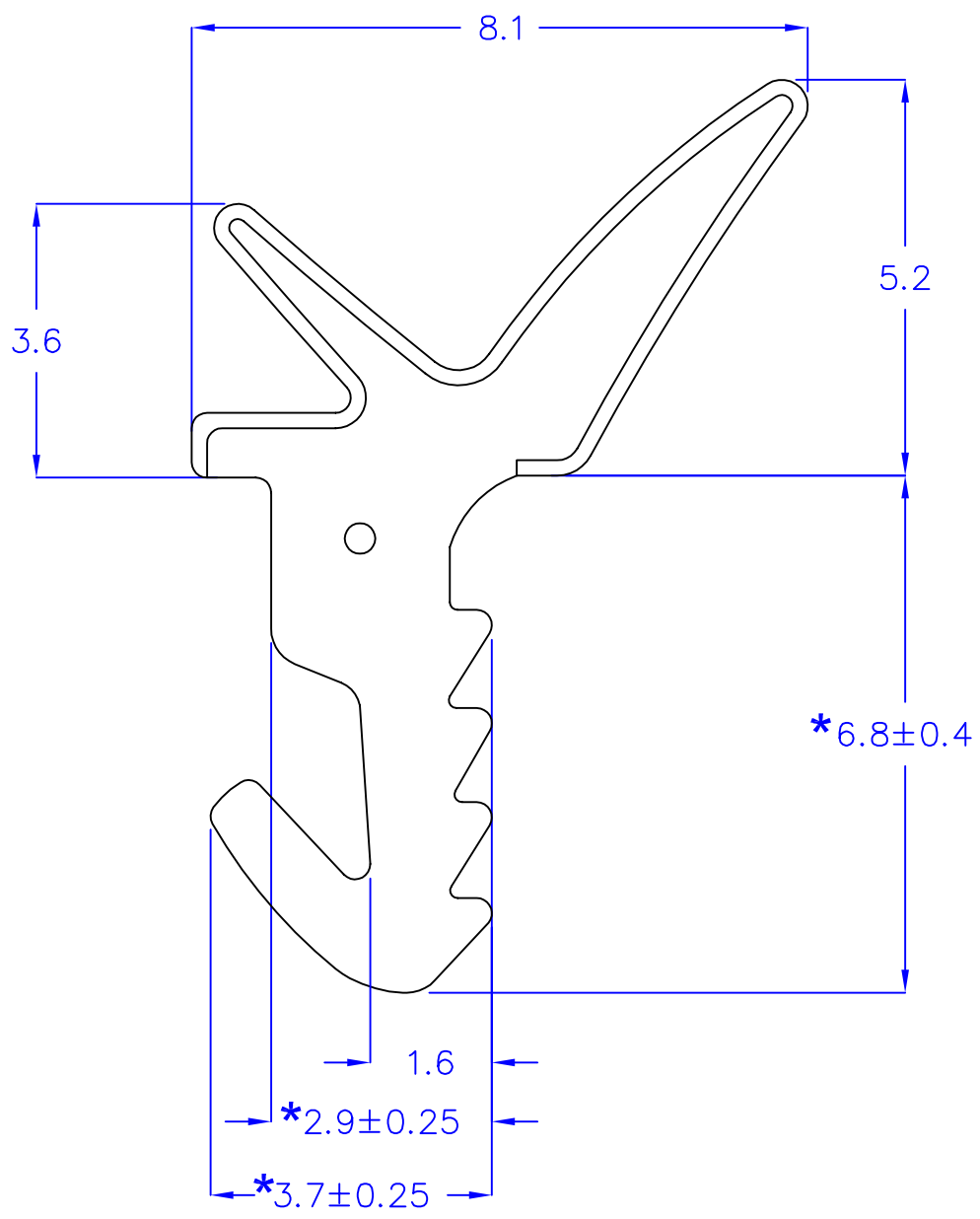
The following applies for tolerances not presented in this drawing.  
 Solid rubber=ISO3302-1:1996, Class E2  
 Cellular rubber =SS 243705, Class 2

This drawing is the property of Trelleborg Sealing Profiles and is to be returned at our request. It can not be copied, shown or given to a third party without our written consent. Infringement will be prosecuted according to the law.

A	B	C	D	E
---	---	---	---	---



1:1



\* = Kontrollmått

Trelleborg Sealing Profiles Box 1004 S-331 29 Värnamo Sweden Tel: +46 (0)370 481 00	Material 1: EPDM 60 Shore Black	Area 1: 17,2	Skala: 10:1
	Material 2: EPDM 55 TLT Grey	Area 2: 4,5	Datum: 2011-02-24
	Material 3: -	Area 3: -	Ritad av: AK
Kund: <b>TSP PL</b>	Detalnummer: -		
Benämning: <b>Glazing gasket</b>	Ritningsnummer: <b>P-0063</b>		